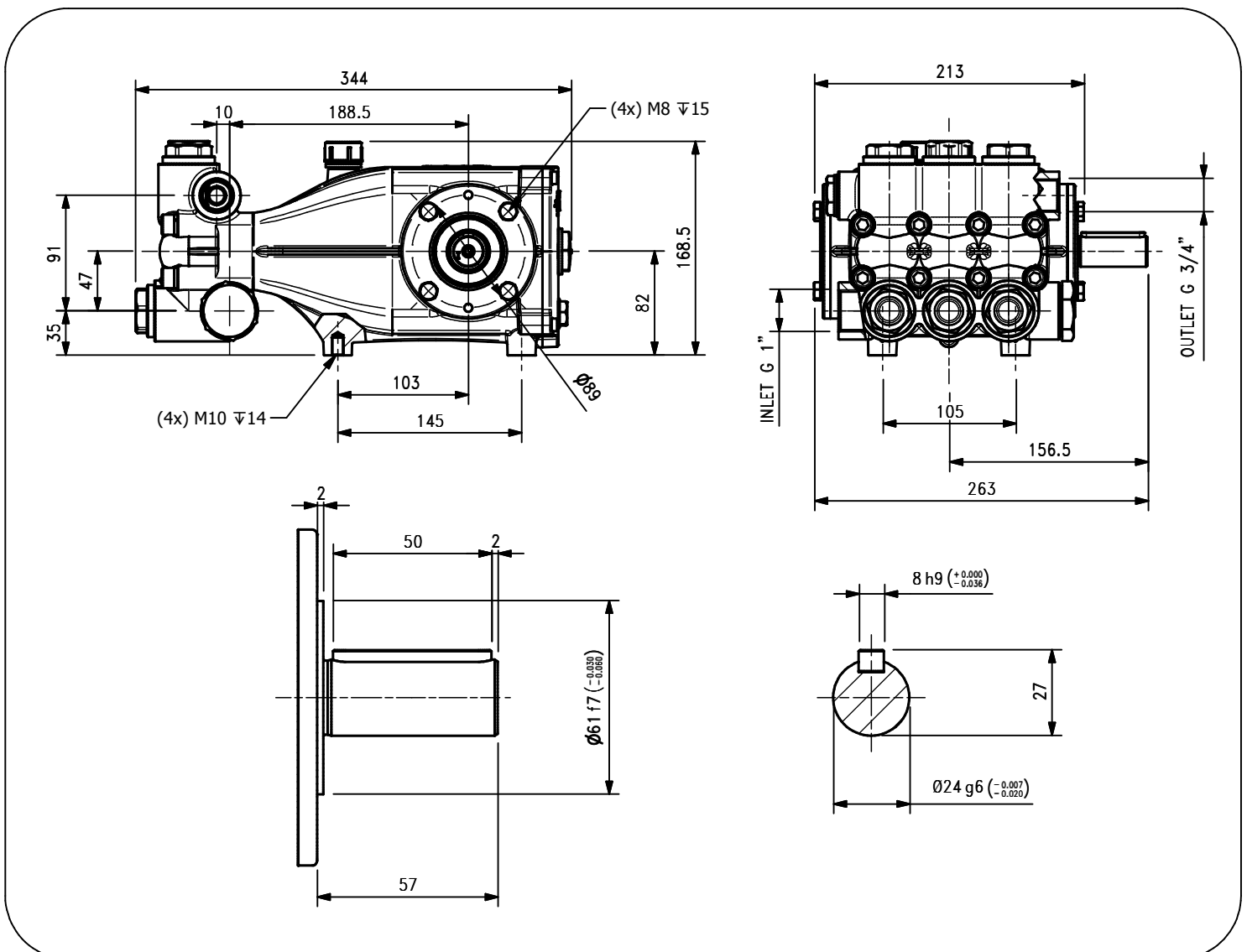
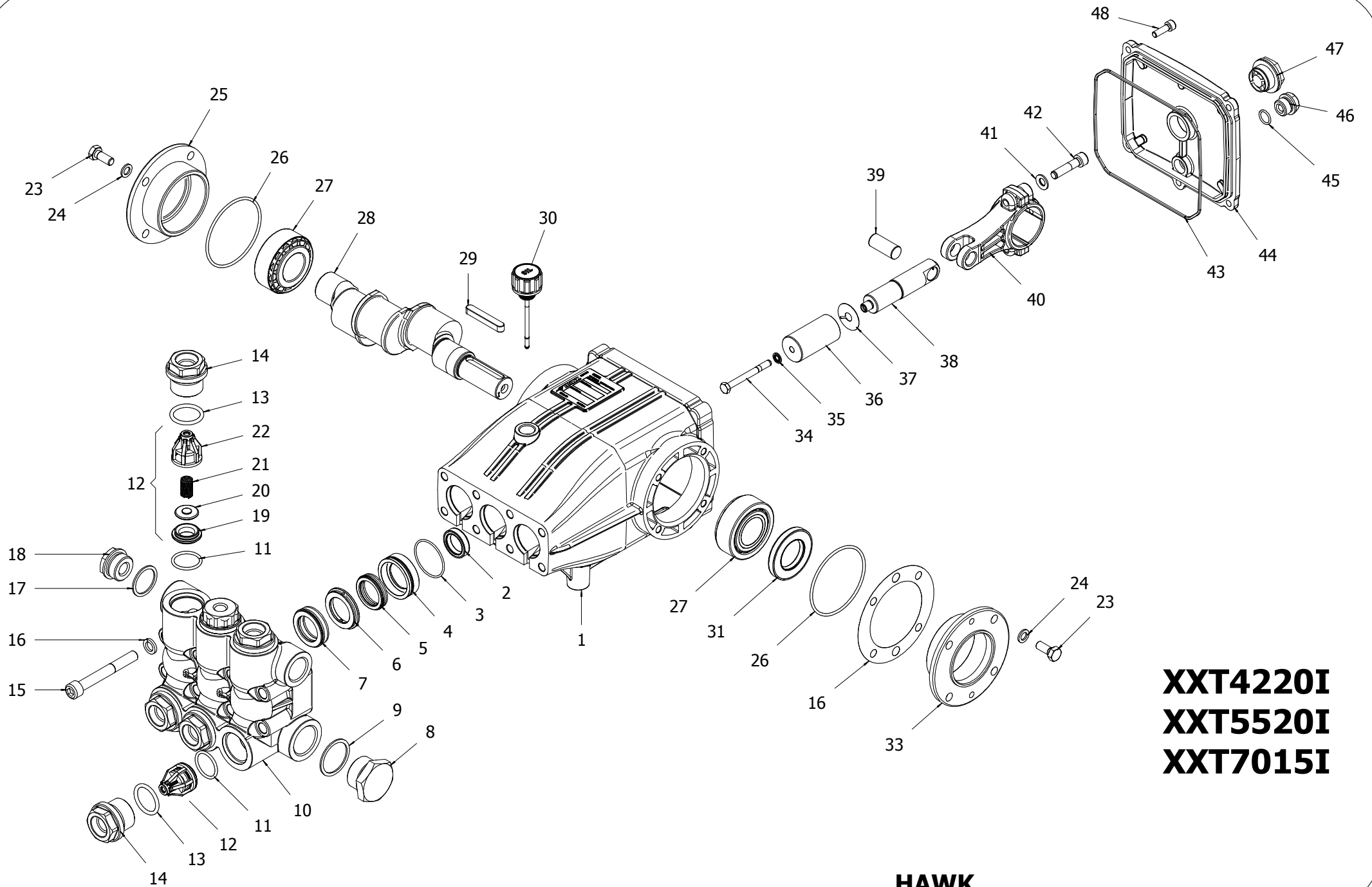


Pump Pompa	Pressure Pressione		Volume Portata				RPM giri/min		Power Potenza			
			l/min		GPM				HP		kW	
	bar	PSI	50 Hz	60 Hz	50 Hz	60 Hz	50 Hz	60 Hz	50 Hz	60 Hz	50 Hz	60 Hz
XXT4220I	200	2900	42,6	51,1	11,3	13,6	1450	1740	21,9	26,3	16,1	19,3
XXT5520I	200	2900	55,1	66,1	14,6	17,5	1450	1740	28,8	34,6	21,2	25,4
XXT7015I	150	2175	70,0	84,0	18,5	22,2	1450	1740	27,1	32,5	20,0	24,0

Dimensioni d'ingombro

Overall dimensions





XXT4220I
XXT5520I
XXT7015I

HAWK
Pompe XXT serie 2012
XXT pumps 2012 series

rev. 3.2

Posizioni	Part Number & Description	Codice e Descrizione	Q.tà Pompa	XXT7015I	XXT5520I	XXT4220I
3x (3- 5- 7)	2601.25 Plunger Seals 22	2601.25 Guarnizioni pistone Ø22	1			◆
	2601.13 Plunger Seals 25	2601.13 Guarnizioni pistone Ø25	1		◆	
	2601.15 Plunger Seals 28	2601.15 Guarnizioni pistone Ø28	1	◆		
3- 4- 5- 6- 7	2601.50 Complete seal Packing 22 mm	2601.50 Pacco completo Guarnizioni pistone Ø22	3			◆
	2601.49 Complete seal Packing 25 mm	2601.49 Pacco completo Guarnizioni pistone Ø25	3		◆	
	2601.48 Complete seal Packing 28 mm	2601.48 Pacco completo Guarnizioni pistone Ø28	3	◆		
34- 35- 36- 37	2601.29 Plunger 22	2601.29 Pistone Ø22	3			◆
	2601.17 Plunger 25	2601.17 Pistone Ø25	3		◆	
	2601.18 Plunger 28	2601.18 Pistone Ø28	3	◆		
11- 12- 13	2601.44 Complete Valve	2601.44 Valvola completa	6	◆	◆	◆
3x (2)	2600.03 Plunger oil Seal	2600.03 Anelli tenuta olio Asta	1	◆	◆	◆
3- 4- 5- 6- 7- 8 9- 10- 11- 12 13- 14- 15- 16 17- 18	2601.47 Complete Manifold 22	2601.47 Testata Completa Ø22	1			◆
	2601.46 Complete Manifold 25	2601.46 Testata Completa Ø25	1		◆	
	2601.45 Complete Manifold 28	2601.45 Testata Completa Ø28	1	◆		
38- 39- 40- 41 42	3100.43 Connectin Rod Plunger Rod Assy	3100.43 Premontato asta-biella	3	◆	◆	◆

PARTS LIST

XXT 2012

LISTA PARTI

Pos.	Codice		Descrizione	Q.tà/Po mpa	XXT7015I	XXT5520I	XXT4220I
*1	0202.97	Crankcase	<i>Carter</i>	1			
*2	0001.01	Plunger oil seal	<i>Anello radiale</i>	3	◆	◆	◆
*3	0601.08	"O" Ring Ø1.78x37.82	<i>"O" Ring Ø1.78x37.82</i>	3			
*4	1201.69	Pressure ring 22 mm	<i>Pressore Ø22</i>	3			◆
	1201.70	Pressure ring 25 mm	<i>Pressore Ø25</i>	3		◆	
	1201.65	Pressure ring 28 mm	<i>Pressore Ø28</i>	3	◆		
*5	0002.53	"U" seal, dia.22 mm	<i>Anello tenuta "U" Ø22</i>	3			◆
	0002.57	"U" seal, dia.25 mm	<i>Anello tenuta "U" Ø25</i>	3		◆	
	0002.69	"U" seal, dia.28 mm	<i>Anello tenuta "U" Ø28</i>	3	◆		
*6	0300.89	Intermed. ring 22mm	<i>Diffusore interm. Ø22</i>	3			◆
	0300.90	Intermed. ring 25mm	<i>Diffusore interm. Ø25</i>	3		◆	
	0300.87	Intermed. ring 28mm	<i>Diffusore interm. Ø28</i>	3	◆		
*7	0002.62	"U" seal, dia.22 mm	<i>Anello tenuta "U" Ø22</i>	3			◆
	0002.72	"U" seal, dia.25 mm	<i>Anello tenuta "U" Ø25</i>	3		◆	
	0002.65	"U" seal, dia.28 mm	<i>Anello tenuta "U" Ø28</i>	3	◆		
*8	1601.57	Brass plug G1"	<i>Tappo G 1"</i>	1	◆	◆	◆
*9	0603.12	Copper washer G1"	<i>Guarnizione rame G 1"</i>	1			
*10	1602.49	Manifold housing Ø28/Ø25	<i>Testata Ø28/Ø25</i>	1	◆	◆	
	1602.52	Manifold housing Ø22/Ø20	<i>Testata Ø22/Ø20</i>	1			◆
*11	0601.66	"O" Ring Ø2,62x25,07	<i>"O" Ring Ø2,62x25,07</i>	6			
*12	3604.77	Valve assembly	<i>Valvola premontata</i>	6			
*13	0601.67	"O" Ring Ø3.53x26.58	<i>"O" Ring Ø3.53x26.58</i>	6			
*14	1601.76	Valve plug	<i>Tappo valvola</i>	6			
*15	1801.40	Manifold stud bolt	<i>Vite M10x80</i>	8			
*16	1403.01	Lock-Washer	<i>Rosetta elastica Ø10,2</i>	8			
*17	0603.11	Copper washer G3/4	<i>Guarnizione rame G3/4</i>	1			
*18	1601.33	Brass plug G3/4	<i>Tappo G3/4</i>	1			
19	1503.43	Valve seat	<i>Sede valvola</i>	6			
20	1202.13	Valve plate	<i>Piattello valvola</i>	6			
21	0900.39	Valve spring	<i>Molla valvola</i>	6			
22	0604.14	Valve cage	<i>Gabbia valvola</i>	6			
23	1802.05	Hexagonal screw	<i>Vite M8x20</i>	8	◆	◆	◆
24	1400.01	Washer	<i>Rosetta Ø8.5</i>	8			
25	0500.58	Closed bearing housing	<i>Flangia chiusa</i>	1			
26	0601.00	"O" Ring Ø2.62x71.12	<i>"O" Ring Ø2.62x71.12</i>	2			
27	0200.05	Roller bearing	<i>Cuscinetto a rulli</i>	2			
28	0006.47	Crankshaft Ø24	<i>Albero eccentrico Ø24</i>	1			
29	0206.05	Crankshaft key	<i>Chiavetta</i>	1			
30	1600.16	Oil dip stick	<i>Tappo livello olio</i>	1			
31	0001.00	Cranckshaft seal	<i>Anello radiale</i>	1			
32	0301.00	Shim	<i>Distanziale</i>	1			
33	0500.11	Bearing housing	<i>Flangia aperta</i>	1			
*34	1802.23	Plunger bolt	<i>Vite pistone</i>	3			
*35	1400.10	Copper spacer	<i>Rosetta rame</i>	3			
*36	1200.34	Plunger 22 mm	<i>Pistone Ø22</i>	3			◆
	1200.33	Plunger 25 mm	<i>Pistone Ø25</i>	3		◆	
	1200.30	Plunger 28 mm	<i>Pistone Ø28</i>	3	◆		

Pos.	Codice		Descrizione	Q.tà/Po mpa	XXT7015I	XXT5520I	XXT4220I
*37	1400.57	Copper spacer	<i>Rosetta rame</i>	3			
*38	0003.33	Plunger rod	<i>Asta pistone</i>	3			
*39	1502.07	Connecting rod pin	<i>Spinotto</i>	3			
*40	0100.10	Connecting rod	<i>Biella completa</i>	3			
*41	1401.03	Spring washer	<i>Rosetta elastica Ø8</i>	6			
42	1801.01	Connecting rod screw	<i>Vite M8x35</i>	6			
43	0601.85	"O" Ring Ø2,62x152,07	<i>"O" Ring Ø2,62x152,07</i>	1	◆	◆	◆
44	0203.63	Crankcase cover	<i>Coperchio</i>	1			
45	0601.14	"O" Ring Ø1,78x14,00	<i>"O" Ring Ø1,78x14,00</i>	1			
46	1601.17	Brass plug 3/8	<i>Tappo G3/8</i>	1			
47	0700.05	Sight glass, G3/4	<i>Spia livello olio G3/4</i>	1			
48	1801.41	Cover screw	<i>Vite M6x20</i>	5			

		Part available in kit only
--	--	----------------------------

Particolare disponibile solo in kit

*		Part available in kit also
---	--	----------------------------

Particolare disponibile anche in kit