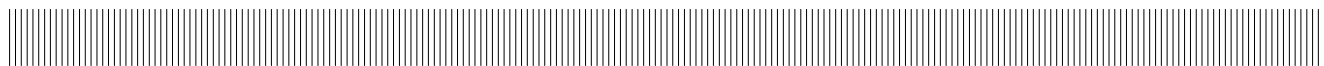


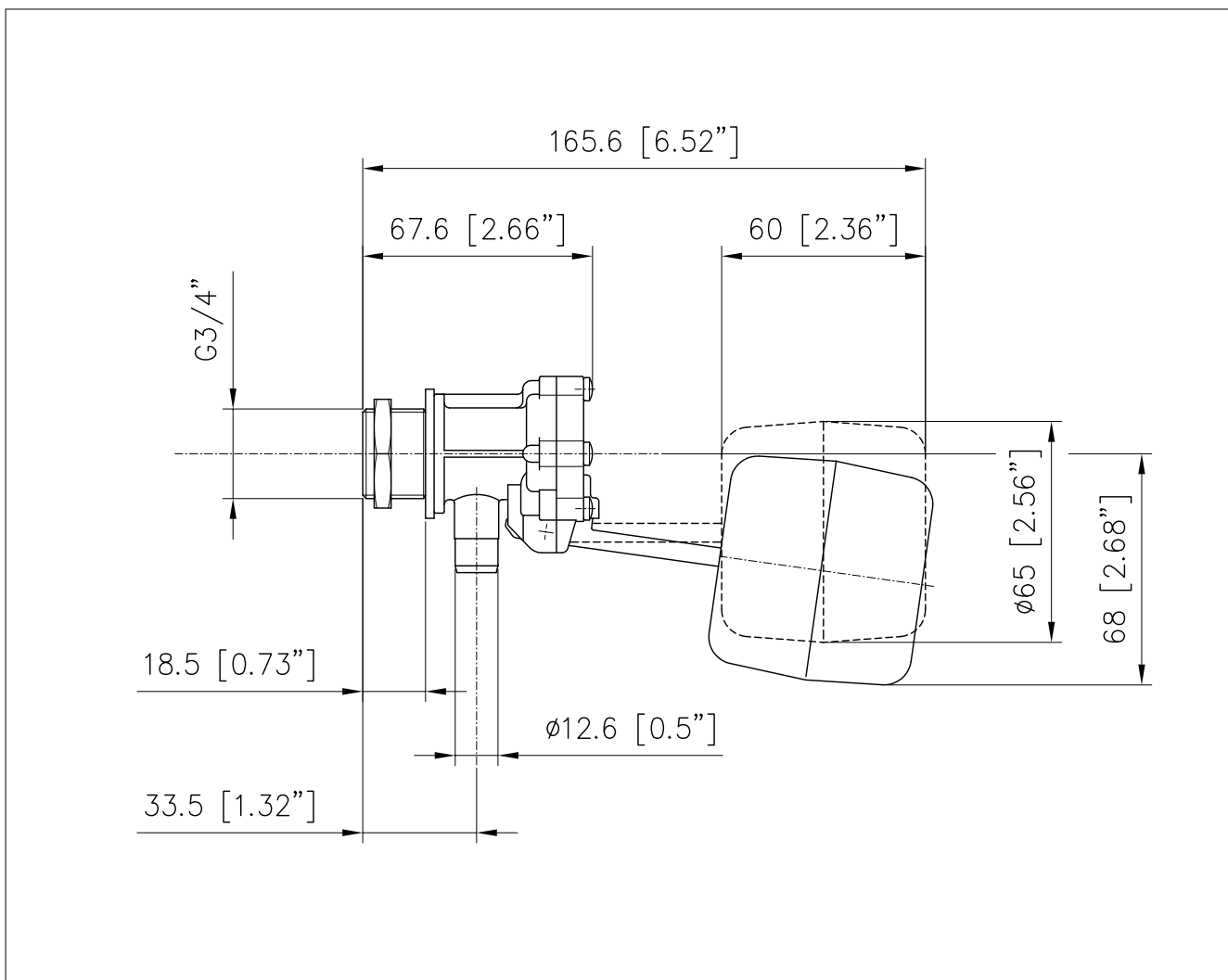
	EQUIPAGGIAMENTI TECNICI LAVAGGIO	29.0150.00 RUBIN. IN PLAST. CON GALLEGG. PLASTIC FLOAT VALVE	①	
			Ⓜ	



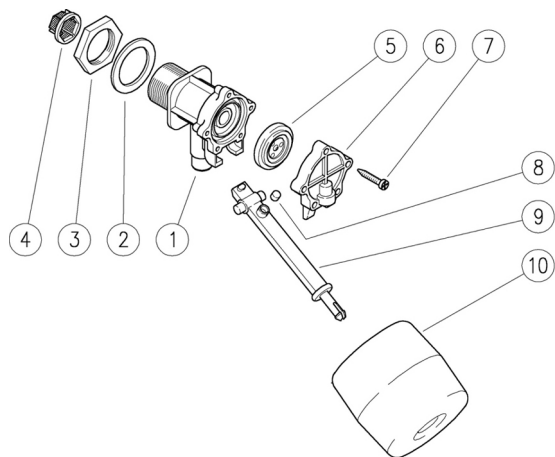
CARATTERISTICHE TECNICHE
SPECIFICATIONS

- FUNZIONAMENTO WORKING	APERTURA E CHIUSURA CON COMANDO COMPENSATO A MEMBRANA FLOW ON-OFF DIAPHRAGM ASSISTED
- PRESSIONE MASSIMA MAX PRESSURE	10 bar – 0.1 MPa (145 psi)
- PORTATA FLOW RATE AT 1 bar – 0.1 MPa (14.5 psi)	25 l/min (6.5 USG p.m.)
A 2 bar – 0.2 MPa (29 psi)	30 l/min (8 USG p.m.)
- TEMPERATURA MASSIMA MAX WORKING TEMPERATURE	60° C (140°F)

MISURE D'INGOMBRO
OVERALL DIMENSIONS

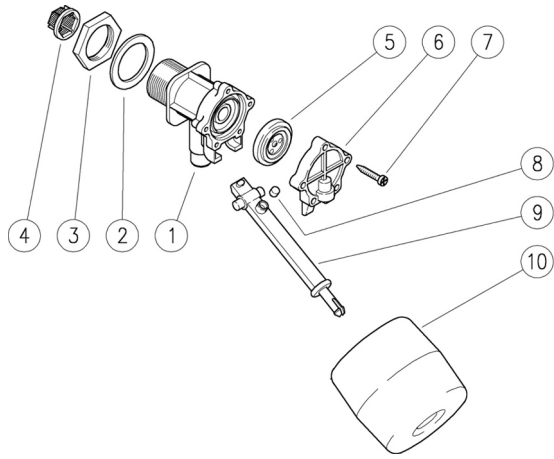


29.0150.00 RGP regolatore gall.plast.G3/4M



Pos.	Codice	Descrizione	Q.tà	K1	K2	K3	K4	
1	29.0141.84R	Corpo RGP G3/4M PP nero	1					5
2	29.0189.81R	Guarn. Front. 26x36x2 mm NBR	1					10
3	29.0188.31R	Dado G3/4F ott.	1					10
4	29.0153.84R	Filtro ingresso 19 mm	1					10
5	29.0151.21R	Guarn. frontale	1					10
6	29.0144.84R	Coperchio RGP PP nero	1					5
7	16.3077.00R	Vite autofil. DIN7981 3,5x18 mm	5					10
8	29.0145.81R	Guarn. frontale 5x4 mm NBR	1					10
9	29.0142.84R	Asta RGP PP nero	1					5
10	29.0143.84R	Galleggiante RGP PE-HD nero	1					10

29.0150.00 RGP Float valve,plast.3/4M Bsp



Pos.	P/N	Description	Q.ty	K1	K2	K3	K4	
1	29.0141.84R	Housing -RGP 3/4M Bsp PP black	1					5
2	29.0189.81R	Front seal, 26x36x2 mm NBR	1					10
3	29.0188.31R	Nut, 3/4F Bsp brass	1					10
4	29.0153.84R	Inlet strainer, 19 mm	1					10
5	29.0151.21R	Front seal	1					10
6	29.0144.84R	Lid, RGP PP black	1					5
7	16.3077.00R	S/tapping screw, DIN7981 3,5x18 mm	5					10
8	29.0145.81R	Front seal, 5x4 mm NBR	1					10
9	29.0142.84R	Rod -RGP, PP black	1					5
10	29.0143.84R	Float body -RGP, black	1					10



P.A. S.p.A.

Via Milano, 13
42048 Rubiera, Reggio Emilia - Italy

Tel +39.0522.623611
Fax +39.0522.629600

info@pa-etl.it

www.pa-etl.it



COMPANY WITH QUALITY MANAGEMENT
SYSTEM CERTIFIED BY DNV
= ISO 9001 =