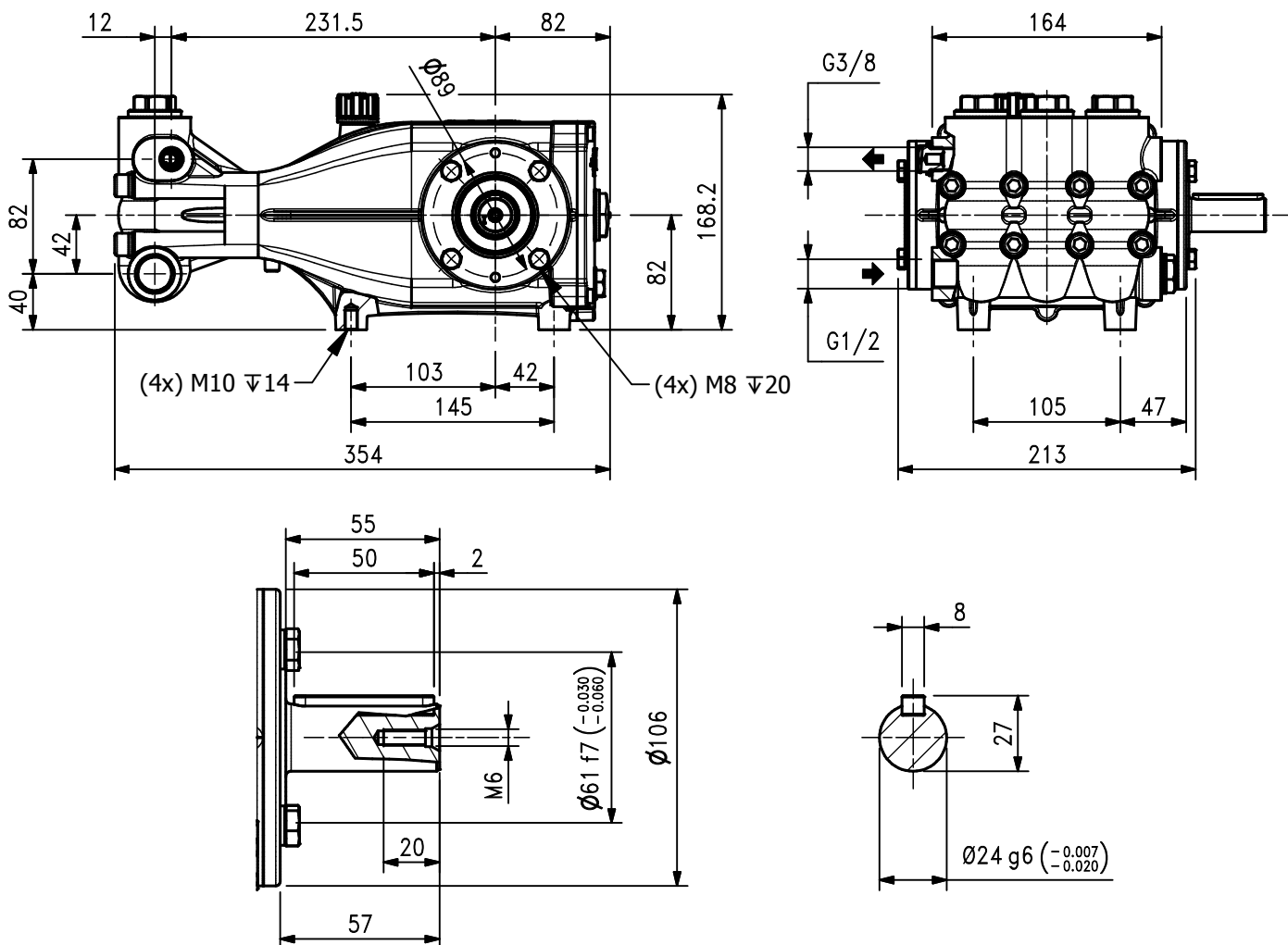
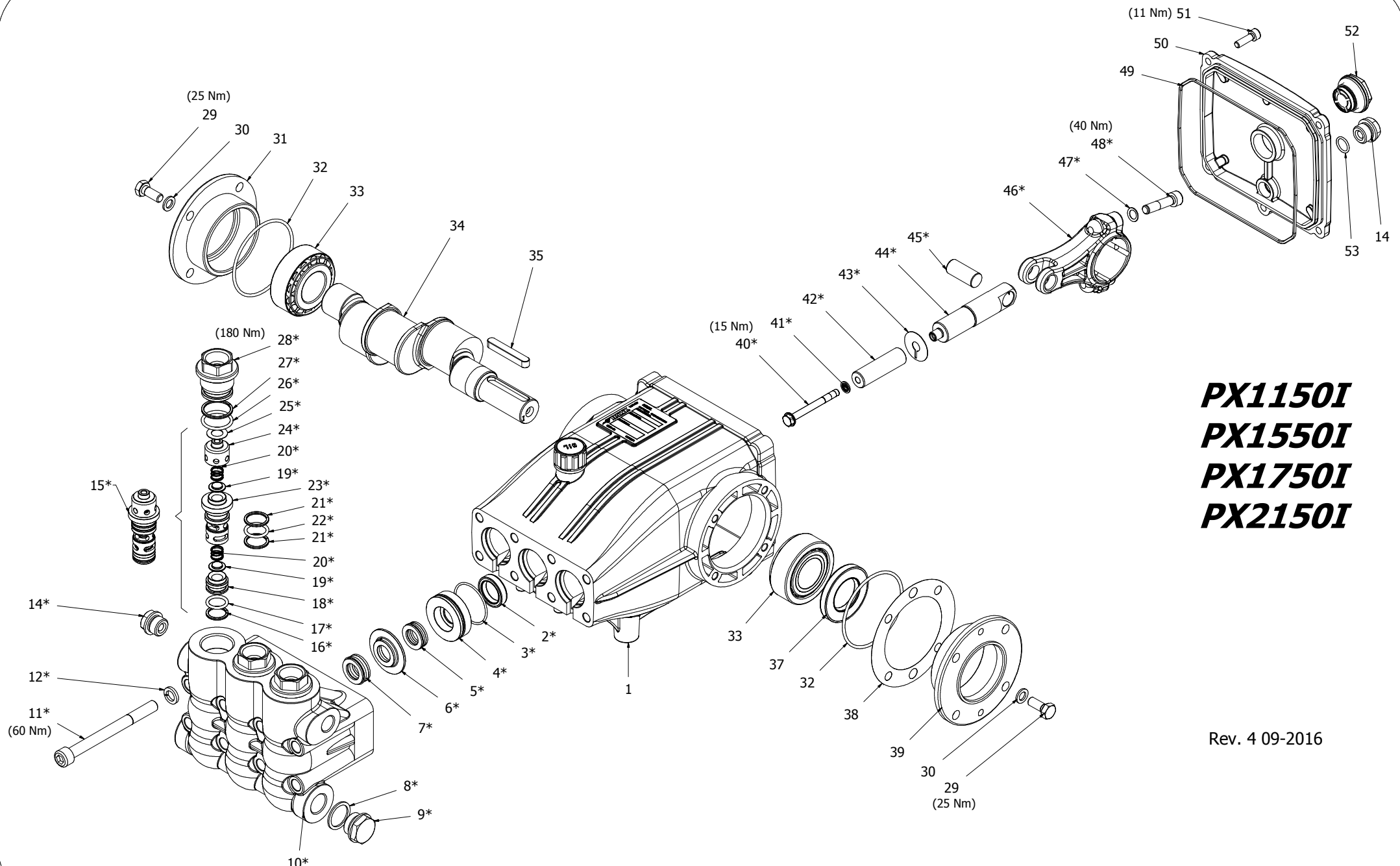


Pump Pompa	Pressure Pressione		Volume Portata				RPM giri/min		Power Potenza			
			l/min		GPM				HP		kW	
	bar	PSI	50 Hz	60 Hz	50 Hz	60 Hz	50 Hz	60 Hz	50 Hz	60 Hz	50 Hz	60 Hz
PX1150I	500	7250	11.1	13.3	2.9	3.5	1450	1740	14.3	17.2	10.5	12.6
PX1550I	500	7250	15.1	18.1	4.0	4.8	1450	1740	19.4	23.3	14.3	17.2
PX1750I	500	7250	16.7	20.0	4.4	5.3	1450	1740	21.4	25.7	15.8	19.0
PX2150I	500	7250	21.5	25.8	5.7	6.8	1450	1740	27.6	33.1	20.3	24.4

Dimensioni d'ingombro

Overall dimensions





PX1150I
PX1550I
PX1750I
PX2150I

Rev. 4 09-2016

HAWK
Pompe PX serie 2012
PX pumps 2012 series

SPARE PARTS KIT

PX 2012

Item	Part Number & Description	Q.ty Pump	PX1150I	PX1550I	PX1750I	PX2150I
3x (3- 5- 7)	2602.24 Plunger Seals 16 mm	1	◆	◆	◆	◆
3- 4- 5- 6- 7	2602.25 Complete seal Packing 16 mm	3	◆	◆	◆	◆
40- 41- 42- 43	2612.01 Plunger 16 mm	3	◆	◆	◆	◆
15	2601.39 Complete Valve	3	◆	◆	◆	◆
3x (2)	2600.03 Plunger oil Seal	1	◆	◆	◆	◆
3- 4- 5- 6- 7- 8 9- 10- 11- 12 13- 14- 15- 26 27- 28	2601.38 Complete Manifold 20 mm	1	◆	◆	◆	◆
44- 45- 46- 47 48	3100.43 Connectin Rod-Plunger Rod Assy	3	◆	◆	◆	◆

PARTS LIST

PX 2012

Item	Part Number	Description	Q.ty/Pu mp	PX1150I	PX1550I	PX1750I	PX2150I
*1	0202.97	Crankcase	1				
*2	0001.01	Plunger oil seal	3				
*3	0601.08	"O" Ring 2150 - Ø1.78x37.82	3				
*4	1201.64	Pressure ring 16 mm	3				
*5	0002.78	"U" seal, dia.16 mm	3				
*6	0300.85	Intermed. ring 16 mm	3				
*7	0002.87	"U" seal, dia.16 mm	3				
*8	0603.07	Copper washer 1/2	1				
*9	1601.20	Brass plug G1/2	1				
*10	1602.48	Manifold housing	1				
*11	1801.38	Manifold stud bolt	8				
*12	1403.01	Lock-Washer	8				
*13	1408.02	Bonded seal G 3/8	1				
*14	1601.17	Brass plug 3/8	2				
*15	3604.07	Valve assembly	3				
*16	0009.50	Back ring	3				
*17	0605.05	"O" Ring 119 - Ø2,62x15,08 90sh	3	◆	◆	◆	◆
*18	1503.39	Valve seat	3				
*19	1202.19	Valve plate	6				
*20	0900.58	Valve spring	6				
*21	0009.05	Back ring	6				
*22	0601.23	"O" Ring 3068 - Ø2.62x17.13	3				
*23	0604.17	Valve cage	3				
*24	0604.18	Valve cage	3				
*25	1400.08	Copper washer	3				
*26	0605.03	"O" Ring 3093 - Ø2,62x23,47	3				
*27	0009.03	Back ring	3				
*28	1601.68	Valve plug	3				
29	1802.05	Hexagonal screw	8				
30	1400.01	Washer	8				
31	0500.58	Closed bearing housing	1				
32	0601.00	"O" Ring Ø2.62x71.12	2				
33	0200.05	Roller bearing	2				
34	0006.39	Crankshaft Ø24	1	◆			
	0006.38	Crankshaft Ø24	1		◆		
	0006.36	Crankshaft Ø24	1			◆	
	0006.47	Crankshaft Ø24	1				◆
35	0206.05	Crankshaft key	1				
36	1600.16	Oil dip stick	1				
37	0001.00	Crankshaft seal	1				
38	0301.00	Shim	1				
39	0500.11	Bearing housing	1				
*40	1802.23	Plunger bolt	3				
*41	1408.13	Bonded seal	3	◆	◆	◆	◆
*42	1200.39	Plunger 16 mm	3				
*43	1400.57	Copper spacer	3				
*44	0003.33	Plunger rod	3				
*45	1502.07	Connecting rod pin	3				
*46	0100.10	Connecting rod	3				
*47	1401.03	Spring washer	6				

PARTS LIST

PX 2012

Item	Part Number	Description	Q.ty/Pu mp	PX1150I	PX1550I	PX1750I	PX2150I
*48	1801.01	Connecting rod screw	6				
49	0601.85	"O" Ring Ø2,62x152,07	1				
50	0203.60	Crankcase cover	1				
51	1801.41	Cover screw	5	◆	◆	◆	◆
52	0700.05	Sight glass, G3/4	1				
53	0601.14	"O" Ring Ø1,78x14,00	1				

* Part available
in kit only

* Part available
in kit also

Posizioni	Codice e Descrizione	Q.tà Pompa	PX1150I	PX1550I	PX1750I	PX2150I
3x (3- 5- 7)	2602.24 <i>Guarnizioni pistone Ø16</i>	1	◆	◆	◆	◆
3- 4- 5- 6- 7	2602.25 <i>Pacco completo Guarnizioni pistone Ø16</i>	3	◆	◆	◆	◆
40- 41- 42- 43	2612.01 <i>Pistone Ø16</i>	3	◆	◆	◆	◆
15	2601.39 <i>Valvola completa</i>	3	◆	◆	◆	◆
3x (2)	2600.03 <i>Anelli tenuta olio Asta</i>	1	◆	◆	◆	◆
3- 4- 5- 6- 7- 8- 9 10- 11- 12- 13 14- 15- 26- 27 28	2601.38 <i>Testata Completa Ø20</i>	1	◆	◆	◆	◆
44- 45- 46- 47 48	3100.43 <i>Premontato asta-biella</i>	3	◆	◆	◆	◆

LISTA PARTI

PX 2012

Pos.	Codice	Descrizione	Q.tà/Po mpa	PX1150I	PX1550I	PX1750I	PX2150I
*1	0202.97	Carter	1				
*2	0001.01	Anello radiale Ø20x30x7	3				
*3	0601.08	"O" Ring 2150 - Ø1.78x37.82	3				
*4	1201.64	Pressore Ø16	3				
*5	0002.78	Anello tenuta "U" Ø16	3				
*6	0300.85	Diffusore interm. Ø16	3				
*7	0002.87	Anello tenuta "U" Ø16	3				
*8	0603.07	Guarnizione rame G1/2	1				
*9	1601.20	Tappo G1/2	1				
*10	1602.48	Testata	1				
*11	1801.38	Vite M10x110	8				
*12	1403.01	Rosetta elastica Ø10,2	8				
*13	1408.02	Bonded seal G 3/8	1				
*14	1601.17	Tappo G3/8	2				
*15	3604.07	Valvola premontata	3				
*16	0009.50	Anello antiestr. OR119	3				
*17	0605.05	"O" Ring 119 - Ø2,62x15,08 90sh	3	◆	◆	◆	◆
*18	1503.39	Sede valvola	3				
*19	1202.19	Piattello valvola	6				
*20	0900.58	Molla valvola	6				
*21	0009.05	Anello antiestr. OR3068	6				
*22	0601.23	"O" Ring 3068 - Ø2.62x17.13	3				
*23	0604.17	Gabbia valvola	3				
*24	0604.18	Gabbia valvola	3				
*25	1400.08	Rosetta valvola	3				
*26	0605.03	"O" Ring 3093 - Ø2,62x23,47	3				
*27	0009.03	Anello antiestr. OR3093	3				
*28	1601.68	Tappo valvola	3				
29	1802.05	Vite M8x20	8				
30	1400.01	Rosetta Ø8.5	8				
31	0500.58	Flangia chiusa	1				
32	0601.00	"O" Ring Ø2.62x71.12	2				
33	0200.05	Cuscinetto a rulli	2				
34	0006.39	Albero eccentrico Ø24	1	◆			
	0006.38	Albero eccentrico Ø24	1		◆		
	0006.36	Albero eccentrico Ø24	1			◆	
	0006.47	Albero eccentrico Ø24	1				◆
35	0206.05	Chiavetta	1				
36	1600.16	Tappo livello olio	1				
37	0001.00	Anello radiale	1				
38	0301.00	Distanziale	1				
39	0500.11	Flangia aperta	1				
*40	1802.23	Vite pistone	3				
*41	1408.13	Bonded Seal	3	◆	◆	◆	◆
*42	1200.39	Pistone Ø16	3				
*43	1400.57	Rosetta rame	3				
*44	0003.33	Asta pistone	3				
*45	1502.07	Spinotto	3				
*46	0100.10	Biella completa	3				
*47	1401.03	Rosetta elastica Ø8	6				

LISTA PARTI

PX 2012

Pos.	Codice	Descrizione	Q.tà/Po mpa	PX1150I	PX1550I	PX1750I	PX2150I
*48	1801.01	Vite M8x35	6				
49	0601.85	"O" Ring Ø2,62x152,07	1				
50	0203.60	Coperchio	1				
51	1801.41	Vite M6x20	5	◆	◆	◆	◆
52	0700.05	Spia livello olio G3/4	1				
53	0601.14	"O" Ring Ø1,78x14,00	1				

* Particolare disponibile
solo in kit

* Particolare disponibile
anche in kit