

Caratteristiche Tecniche

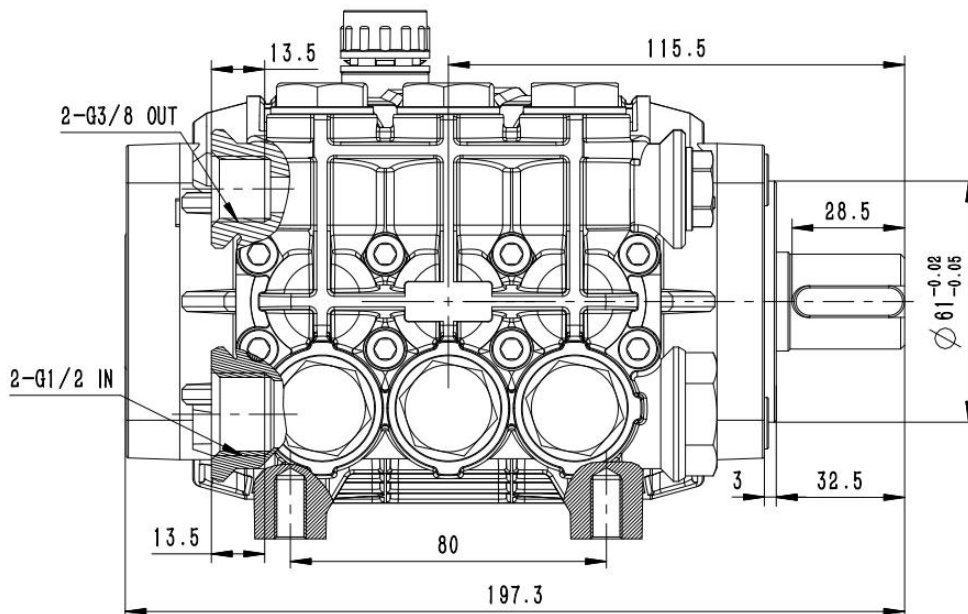
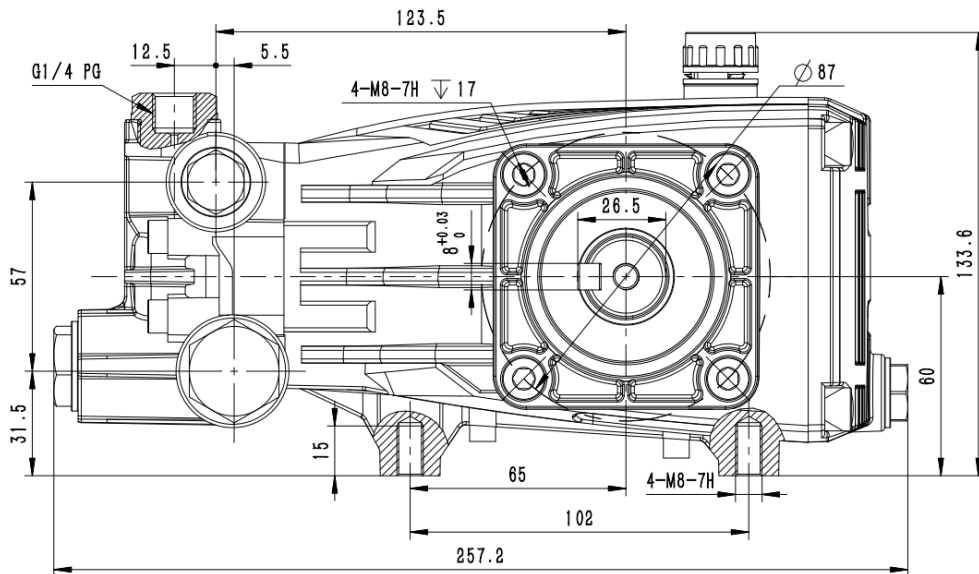
JPB Series

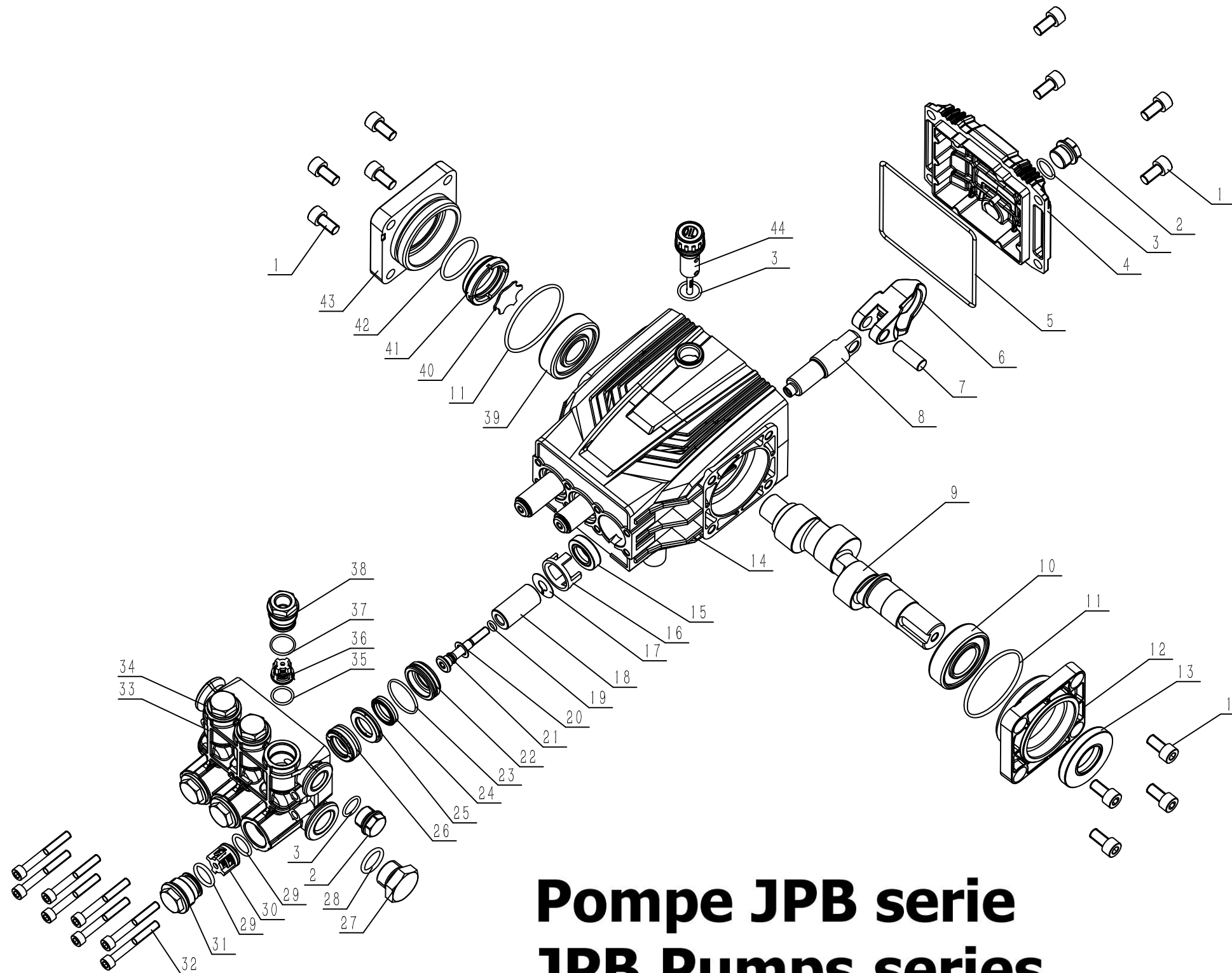
Technical Characteristics

Pump Pompa	Pressure Pressione		Volume Portata		RPM giri/min	Power Potenza	
	bar	PSI	l/min	GPM		HP	kW
JPB1120	200	3000	11.0	2.9	1450	5.5	4.0
JPB1320	200	3000	13.0	3.4	1450	5.5	4.0
JPB1520	200	3000	15.0	4.0	1450	7.5	5.5

Dimensioni d'ingombro

Overall dimensions





Pompe JPB serie JPB Pumps series



JPB SERIES

ORDINARY MAINTENANCE KIT / KIT MANUTENZIONE ORDINARIA

KIT	Item Pos.	Part Number Codice	Description	Descrizione	Q.TY by Pump Q.TÀ per Pompa
A	35- 36- 29- 30	ch164231	COMPLETE VALVE	VALVOLA COMPLETA	1
B	15	ch164232	PLUNGER OIL SEALS	ANELLI TENUTA OLIO ASTA	1
C	23-24- 26	ch164233	PLUNGER SEALS DIA. 18 mm	GUARNIZIONI PISTONE Ø18	1

“Q.TY by Pump” => Necessary quantity to repair one pump
 “Q.TA’ per Pompa” => Quantità necessaria per riparare una pompa

PARTS LIST LISTA PARTI

Item Pos	Description	KIT	Q.TY Q.TÀ	Item Pos	Description	KIT	Q.TY Q.TÀ
1	Hexagon screw		8	23	0 ring	C	3
2	G3/8 plug		2	24	Aux water seal	C	3
3	0 ring		3	25	JPB18water seal pressure ring		3
4	JPB back cover		1	26	18 water seal 3assy	C	3
5	0 ring		1	27	G1/2 plug		1
6	JPB connection rod		3	28	0 ring		1
7	JPB Plunger pin		3	29	0 ring	A	6
8	JPB plunger		3	30	JPB inlet checking valve	A	3
9	JPB crankshaft		1	31	JPB checking valve screw		3
10	Needle bearing		1	32	Hexagon screw		8
11	0 ring		2	33	JPB18 pump manifold		1
12	JPB CONNECTING FLANGE-N		1	34	JPB outlet valve screw		2
13	TC oil seal		1	35	0 ring	A	3
14	JPB crankcase		1	36	JPB outlet checking valve	A	3
15	TC4 oil seal	B	3	37	0 ring		3
16	JPB bracket		3	38	JPB gauge connector		1
17	JPB wiper		3	39	Ball bearing		1
18	JPB18 ceramic tube (ch164330)		3	40	JPD oil level indicator		1
19	0 ring		3	41	JPD oil window		1
20	JPB gasket		3	42	0 ring		1
21	JPB Locking Bolt		3	43	JPB side cover		1
22	JPB18 aux water seal bushing		3	44	JPD DIPSTICK		1