

NHDP – 200 BAR

Caratteristiche Tecniche

Albero maschio – Solid shaft

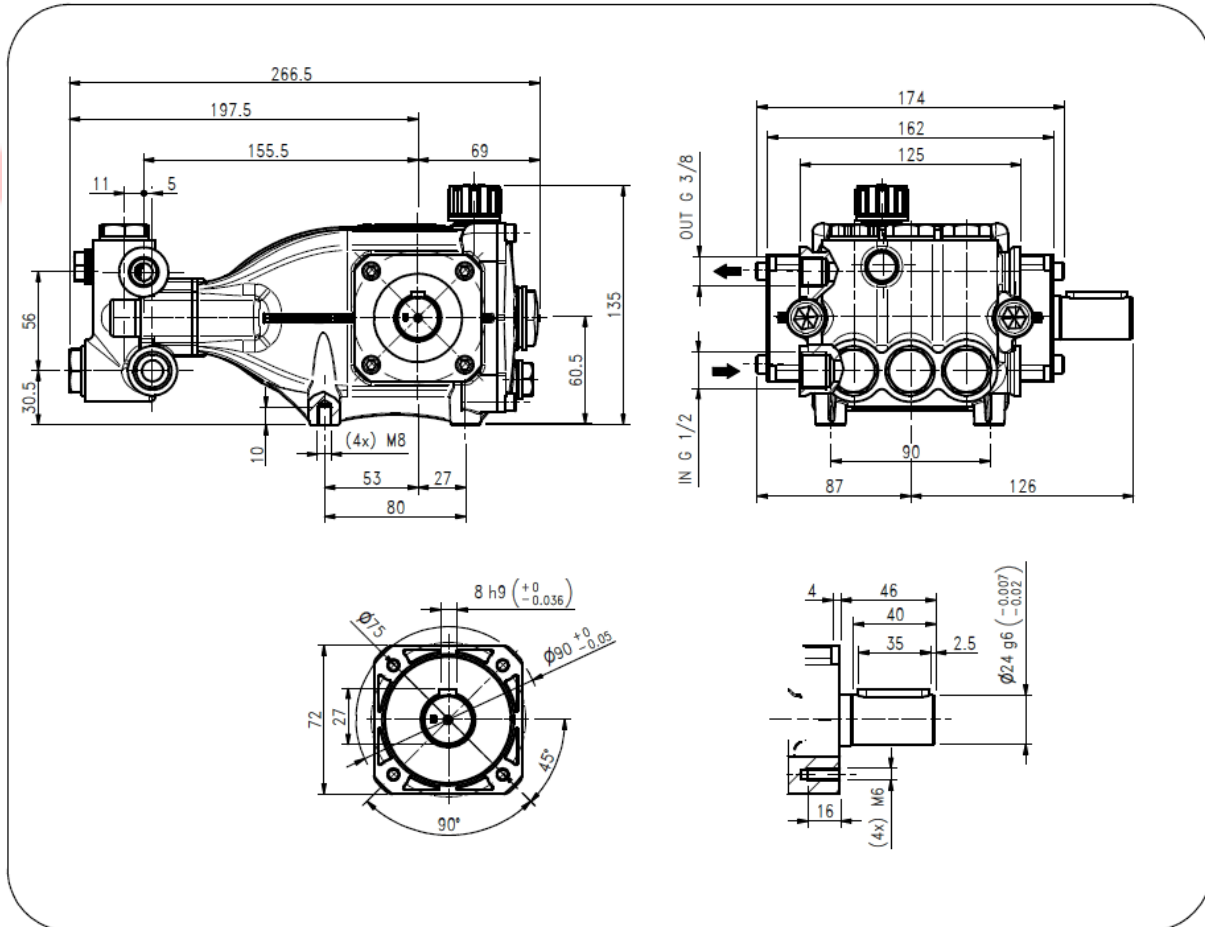
Technical Characteristics

| Pump Pompa | Pressure Pressione | | Volume Portata | | | | RPM giri/min | | Power Potenza | | | |
|---------------|-----------------------|------|-------------------|-------|-------|-------|-----------------|-------|------------------|-------|-------|-------|
| | | | l/min | | GPM | | | | HP | | kW | |
| | bar | PSI | 50 Hz | 60 Hz | 50 Hz | 60 Hz | 50 Hz | 60 Hz | 50 Hz | 60 Hz | 50 Hz | 60 Hz |
| NHDP8520CW | 200 | 2900 | 8.5 | 10.1 | 2.2 | 2.7 | 1450 | 1740 | 4.3 | 5.1 | 3.2 | 3.9 |
| NHDP1020CW | 200 | 2900 | 10 | 12 | 2.6 | 3.2 | 1450 | 1740 | 4.9 | 6.3 | 3.7 | 4.7 |
| NHDP1120CW | 200 | 2900 | 11 | 13.2 | 2.9 | 3.5 | 1450 | 1740 | 5.7 | 6.8 | 4.3 | 5.1 |
| NHDP1220CW | 200 | 2900 | 12 | 14 | 3.1 | 3.7 | 1450 | 1740 | 6.1 | 7.2 | 4.5 | 5.3 |
| NHDP1320CW | 200 | 2900 | 13 | 15.5 | 3.4 | 4.0 | 1450 | 1740 | 6.7 | 7.2 | 4.5 | 5.3 |
| NHDP1420CW | 200 | 2900 | 14 | 17 | 3.7 | 4.5 | 1450 | 1740 | 7.2 | 8.5 | 5.3 | 6.3 |
| NHDP1520CW | 200 | 2900 | 15 | 18 | 4.0 | 4.7 | 1450 | 1740 | 7.7 | 9.2 | 5.7 | 6.8 |



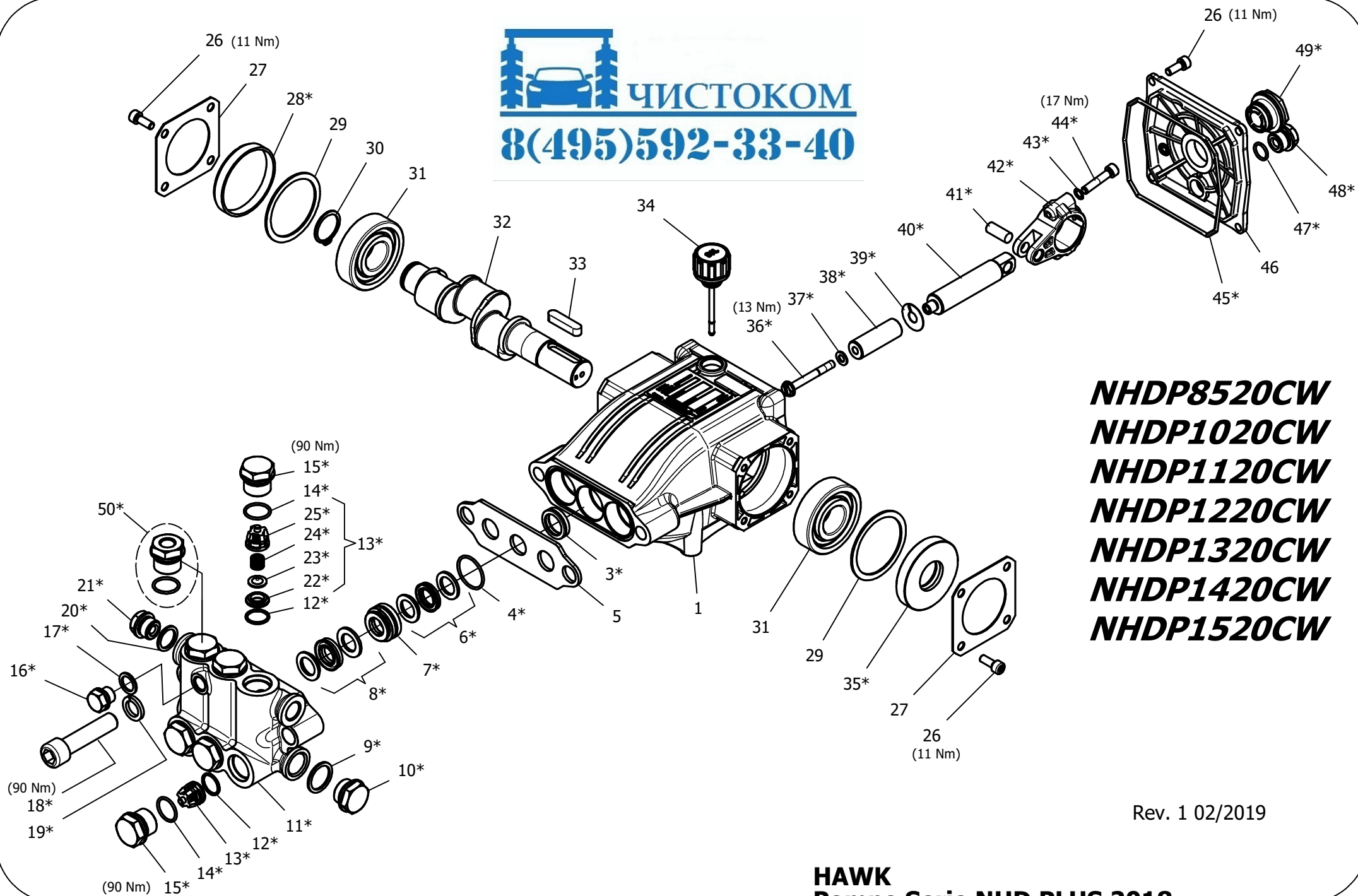
Dimensioni d'ingombro

Overall dimensions



Lubrificazione: Olio SAE 10W40
 Capacità: 0.4 Litri
 Peso pompa: 8.2 kg

Lubrication: SAE 10W40 Oil
 Capacity: 0.4 Litres
 Weight: 8.2 kg



NHDP8520CW
NHDP1020CW
NHDP1120CW
NHDP1220CW
NHDP1320CW
NHDP1420CW
NHDP1520CW

Rev. 1 02/2019

HAWK
Pompe Serie NHD PLUS 2018
NHD PLUS Pumps 2018 Series

NHDP 2018 SERIES

ORDINARY MAINTENANCE KIT / KIT MANUTENZIONE ORDINARIA

| KIT | Item Pos. | Part Number Codice | Description | Descrizione | Q.TY by Pump Q.TA per Pompa | NHDP8520CWR/L | NHDP1020CWR/L | NHDP1120CWR/L | NHDP1220CWR/L | NHDP1320CWR/L | NHDP1420CWR/L | NHDP1520CWR/L |
|-----|---------------------------------|--------------------|--------------------------|-------------------------|--------------------------------|---------------|---------------|---------------|---------------|---------------|---------------|---------------|
| | | | | | | | | | | | | |
| A | 4- 6- 8- 18 | 1.905-736.0 | PLUNGER SEALS DIA. 16 mm | GUARNIZIONI PISTONE Ø16 | 1 | | | | | | | |
| B | 12- 13 (22 23- 24- 25) 14 | 1.905-617.0 | COMPLETE VALVE | VALVOLA COMPLETA | 1 | • | • | • | • | • | • | • |

EXTRAORDINARY MAINTENANCE KIT / KIT MANUTENZIONE STRAORDINARIA

| KIT | Item Pos. | Part Number Codice | Description | Descrizione | Q.TY by Pump Q.TA per Pompa | NHDP8520CWR/L | NHDP1020CWR/L | NHDP1120CWR/L | NHDP1220CWR/L | NHDP1320CWR/L | NHDP1420CWR/L | NHDP1520CWR/L |
|-----|---|--------------------|--------------------------------------|---|--------------------------------|---------------|---------------|---------------|---------------|---------------|---------------|---------------|
| | | | | | | | | | | | | |
| C | 4- 6- 7- 8- 18 | 1.905-737.0 | COMPLETE SEALS PACKING DIA. 16 mm | PACCO COMPLETO GUARNIZIONI PISTONE Ø16 | 1 | | | | | | | |
| D | 36- 37- 38 39 | 1.099-738.0 | PLUNGER DIA. 16 mm | PISTONE Ø16 | 3 | | | | | | | |
| E | 3 | 1.099-740.0 | PLUNGER OIL SEALS | ANELLI TENUTA OLIO ASTA | 1 | | | | | | | |
| F | 21- 28- 35 45- 47- 48 | 1.905-624.0 | KIT CRANKCASE SEALS | KIT TENUTE CARTER | 1 | | | | | | | |
| G | 4- 6- 7- 8- 9- 10- 11- 12- 13 (22- 23- 24- 25) 14- 15- 16- 17- 18- 19- 20- 21 | 1.905-738.0 | COMPLETE MANIFOLD | TESTATA COMPLETA | 1 | • | • | • | • | • | • | • |
| H | 40- 41- 42 43- 44 | 1.905-742.0 | CONNECTING ROD PLUNGER ROD ASSY | PREMONTATO ASTA-BIELLA PISTONE | 3 | | | | | | | |
| I | 14- 15 | 1.904-212.0 | VALVE PLUG ASSY | PREMONTATO TAPPO VAM | 6 | | | | | | | |

“Q.TY by Pump” => Necessary quantity to repair one pump
 “Q.TA’ per Pompa” => Quantità necessaria per riparare una pompa

OPTIONAL

| Item Pos. | Part Number Codice | Description | Descrizione | Q.TY by Pump Q.TA per Pompa | NHDP8520CWR/L | NHDP1020CWR/L | NHDP1120CWR/L | NHDP1220CWR/L | NHDP1320CWR/L | NHDP1420CWR/L | NHDP1520CWR/L |
|-----------|--------------------|--------------------------|-------------------------|--------------------------------|---------------|---------------|---------------|---------------|---------------|---------------|---------------|
| | | | | | | | | | | | |
| 50 | 9.853-425.0 | THREADED BRASS PLUG G1/4 | PREMONTATO TAPPO FORATO | 1 | • | • | • | • | • | • | • |

TOOL KIT

| Part Number Codice | Description | Descrizione | Q.TY by Pump Q.TA per Pompa | NHDP8520CWR/L | NHDP1020CWR/L | NHDP1120CWR/L | NHDP1220CWR/L | NHDP1320CWR/L | NHDP1420CWR/L | NHDP1520CWR/L |
|--------------------|------------------------|------------------------|--------------------------------|---------------|---------------|---------------|---------------|---------------|---------------|---------------|
| | | | | | | | | | | |
| 1.099-668.0 | TOOL-KIT | TOOL-KIT | 1 | • | • | • | • | • | • | • |
| 1.905-591.0 | TOOL KIT EXTRAORDINARY | TOOL-KIT STRAORDINARIO | 1 | | | | | | | |

IMPORTANT

IMPORTANTE

* Part available ONLY in kit
Disponibile SOLO in kit

(...) Parts pre-assembled
Parti pre-assemblate

PARTS LIST LISTA PARTI

| Item Pos | Part Number Codice | Description | Descrizione | KIT | Q.TY Q.TA | NHDP8520CWR/L | NHDP1020CWR/L | NHDP1120CWR/L | NHDP1220CWR/L | NHDP1320CWR/L | NHDP1420CWR/L | NHDP1520CWR/L |
|----------|--------------------|---------------------------|-----------------------------|-------|-----------|---------------|---------------|---------------|---------------|---------------|---------------|---------------|
| 1 | 9.850-369.0 | CRANKCASE | CARTER | | 1 | | | | | | | |
| 3* | | PLUNGER OIL SEAL | ANELLO RADIALE | E | 3 | | | | | | | |
| 4* | | "O" RING Ø1.78X26.7 | "O" RING Ø1.78X26.7 | A-C-G | 3 | | | | | | | |
| 5 | 9.853-555.0 | SPACER | DISTANZIATORE | | 1 | | | | | | | |
| 6* | | "U" SEAL, DIA. 16 MM | ANELLO TENUTA "U" Ø16 | A-C-G | 3 | | | | | | | |
| 7* | | PRESSURE RING DIA. 16 MM | PRESSORE "U" Ø16 | C-G | 3 | | | | | | | |
| 8* | | "U" SEAL, DIA. 16 MM | ANELLO TENUTA "U" Ø16 | A-C-G | 3 | | | | | | | |
| 9* | | COPPER WASHER G1/2 | GUARNIZIONE RAME G1/2 | G | 1 | | | | | | | |
| 10* | | BRASS PLUG G1/2 | TAPPO OTTONE G1/2 | G | 1 | | | | | | | |
| 11* | | MANIFOLD HOUSING | TESTATA | G | 1 | | | | | | | |
| 12* | | "O" RING Ø1.78X15.6 | "O" RING Ø1.78X15.6 | B-G | 6 | | | | | | | |
| 13* | | VALVE ASSEMBLY | VALVOLA PREMONTATA | B-G | 6 | | | | | | | |
| 14* | | "O" RING Ø1,78X18.77 | "O" RING Ø1.78X18.77 | B-G-I | 6 | | | | | | | |
| 15* | | VALVE PLUG | TAPPO VALVOLA | G-I | 6 | | | | | | | |
| 16* | | BRASS PLUG G1/4 | TAPPO OTTONE G1/4 | G | 1 | | | | | | | |
| 17* | | COPPER WASHER G1/4 | GUARNIZIONE RAME G1/4 | G | 1 | • | • | • | • | • | • | • |
| 18* | | MANIFOLD STUD BOLT M14X60 | VITE TCEI M14X60 | A-C-G | 2 | | | | | | | |
| 19* | | LOCK-WASHER | ROSETTA ELASTICA Ø14 | G | 2 | | | | | | | |
| 20* | | COPPER WASHER G3/8 | GUARNIZIONE RAME G 3/8 | G | 1 | | | | | | | |
| 21* | | BRASS PLUG G 3/8 | TAPPO OTTONE G 3/8 | F-G | 2 | | | | | | | |
| 22* | | VALVE SEAT | SEDE VALVOLA | B-G | 6 | | | | | | | |
| 23* | | VALVE PLATE | PIATTELLO VALVOLA | B-G | 6 | | | | | | | |
| 24* | | VALVE SPRING | MOLLA VALVOLA | B-G | 6 | | | | | | | |
| 25* | | VALVE CAGE | GABBIA VALVOLA | B-G | 6 | | | | | | | |
| 26 | 9.851-474.0 | SCREW M6X16 | VITE TCEI M6X16 | | 12 | | | | | | | |
| 27 | 9.850-379.0 | BEARING COVER | COPERCHIO CUSCINETTO | | 2 | | | | | | | |
| 28* | | BEARING SEAL | CAPPELLOTTO CUSCINETTO | F | 1 | | | | | | | |
| 29 | 9.850-554.0 | CRANKSHAFT SEAL SPACER | DISTANZIALE PARAOLIO ALBERO | | 2 | | | | | | | |
| 30 | 9.851-198.0 | SNAP RING DIA. 25 MM | ANELLO Ø25 | | 1 | | | | | | | |
| 31 | 9.850-460.0 | BALL BEARING | CUSCINETTO A SFERE | | 2 | | | | | | | |
| 32 | 9.850-220.0 | SINGLE-ENDED SHAFT | ALBERO SEMPLICE P.D.F | | 1 | | | | | | | • |
| | 9.850-224.0 | " " " | " " " | | 1 | | | | | | | • |
| | 9.850-225.0 | " " " | " " " | | 1 | | | • | | | | |
| | 9.850-226.0 | " " " | " " " | | 1 | • | | | | | | |
| | 9.850-227.0 | " " " | " " " | | 1 | | • | | | | | |
| | 9.851-956.0 | " " " | " " " | | 1 | | | | • | | | |
| | 9.850-228.0 | " " " | " " " | | 1 | | | | | • | | |

| Item Pos | Part Number Codice | Description | Descrizione | KIT | Q.TY Q.TÀ | NHDP8520CWR/L | NHDP1020CWR/L | NHDP1120CWR/L | NHDP1220CWR/L | NHDP1320CWR/L | NHDP1420CWR/L | NHDP1520CWR/L |
|----------|--------------------|----------------------------------|----------------------------------|-----|--------------|---------------|---------------|---------------|---------------|---------------|---------------|---------------|
| | | | | | | | | | | | | |
| 33 | 9.850-446.0 | CRANKSHAFT KEY | CHIAVETTA | | 1 | | | | | | | |
| 34 | 9.851-286.0 | OIL DIP STICK | TAPPO LIVELLO OLIO | | 1 | | | | | | | |
| 35* | | CRANKSHAFT SEAL | ANELLO RADIALE | F | 1 | | | | | | | |
| 36* | | PLUNGER BOLT | VITE PISTONE | D | 3 | | | | | | | |
| 37* | | BONDED SEAL - Ø6,7X11X1 AISI 304 | BONDED SEAL - Ø6,7X11X1 AISI 304 | D | 3 | | | | | | | |
| 38* | | PLUNGER DIA. 16 MM | PISTONE Ø16 | D | 3 | | | | | | | |
| 39* | | COPPER SPACER | ROSETTA RAME | D | 3 | | | | | | | |
| 40* | | PLUNGER ROD | ASTA PISTONE | H | 3 | | | | | | | |
| 41* | | CONNECTING ROD PIN | SPINOTTO | H | 3 | • | • | • | • | • | • | • |
| 42* | | CONNECTING ROD | BIELLA | H | 3 | | | | | | | |
| 43* | | SPRING WASHER DIA. 6 MM | ROSETTA SCHNORR Ø6 | H | 6 | | | | | | | |
| 44* | | CONNECTING ROD SCREW | VITE M6X30 | H | 6 | | | | | | | |
| 45* | | "O" RING Ø2.62X111.62 | "O" RING Ø2.62X111.62 | F | 1 | | | | | | | |
| 46 | 9.850-392.0 | CRANKCASE COVER | COPERCHIO POSTERIORE | | 1 | | | | | | | |
| 47* | | "O" RING Ø1.78X14 | "O" RING Ø1.78X14 | F | 1 | | | | | | | |
| 48* | | BRASS PLUG G 3/8 | TAPPO OTTONE G 3/8 | F | 1 | | | | | | | |
| 49* | | SIGHT GLASS G3/4 | SPIA LIVELLI OLIO G3/4 | F | 1 | | | | | | | |