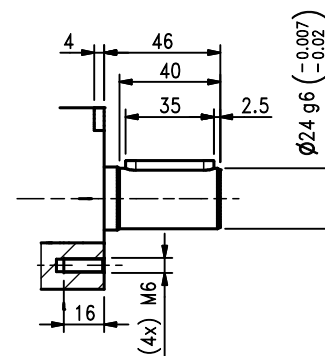
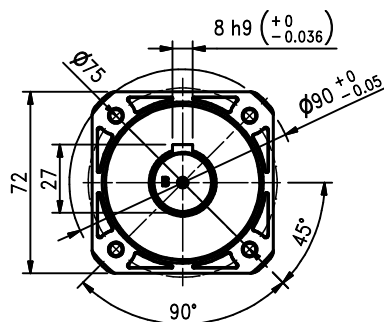
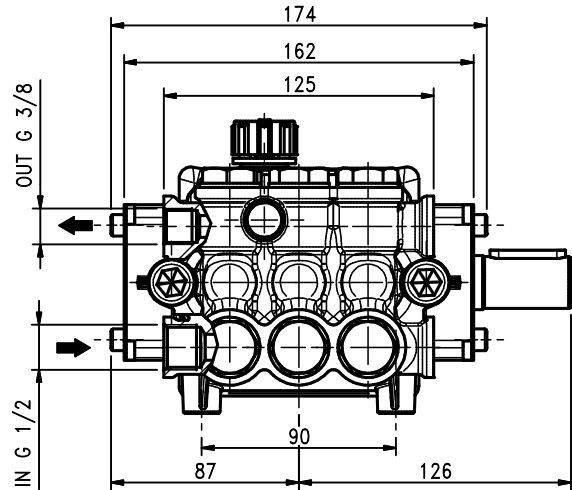
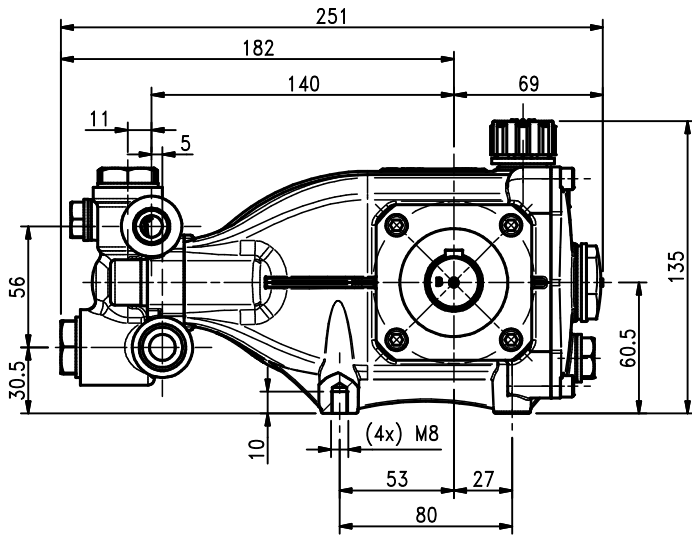


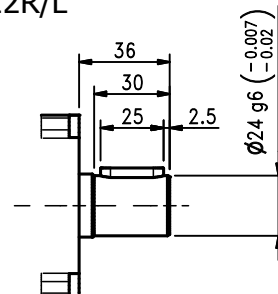
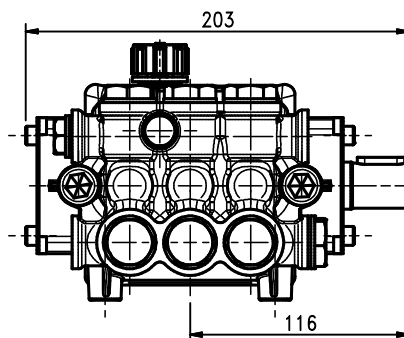
Pump Pompa	Pressure Pressione		Volume Portata				RPM giri/min		Power Potenza			
			l/min		GPM				HP		kW	
	bar	PSI	50 Hz	60 Hz	50 Hz	60 Hz	50 Hz	60 Hz	50 Hz	60 Hz	50 Hz	60 Hz
NHD0412	120	1740	4	4.8	1.1	1.3	1450	1740	1.2	1.5	0.9	1.1
NHD0612	120	1740	6	7.2	1.6	1.9	1450	1740	1.9	2.3	1.4	1.7
NHD8512	120	1740	8.5	10.2	2.2	2.7	1450	1740	2.6	3.1	1.9	2.3
NHD1012	120	1740	10	12	2.6	3.2	1450	1740	3	3.6	2.2	2.6
NHD1112	120	1740	11	13.1	2.9	3.5	1450	1740	3.4	4.1	2.5	3
NHD1212	120	1740	12	14.4	3.2	3.8	1450	1740	3.6	4.4	2.7	3.2

Dimensioni d'ingombro

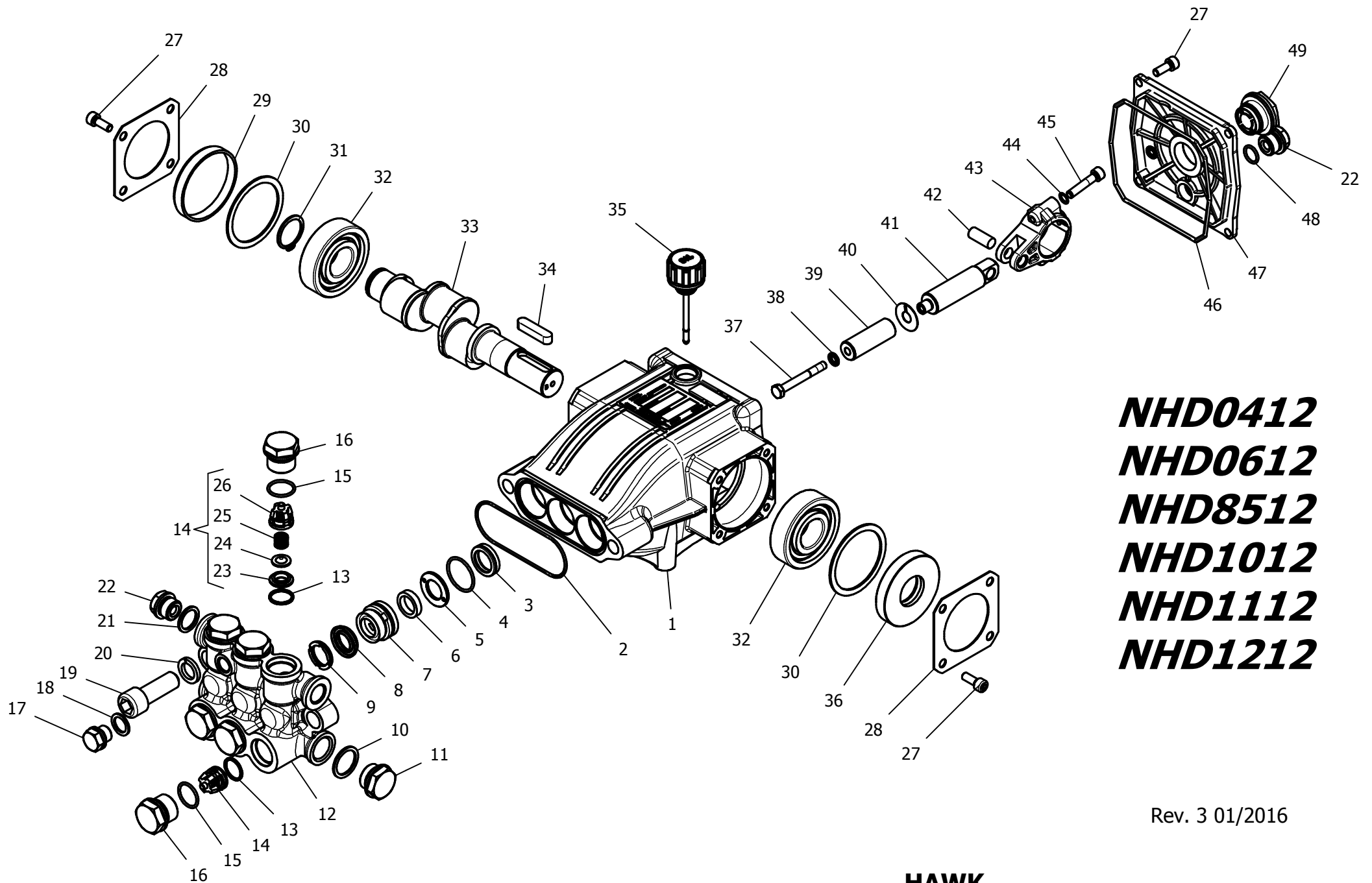
Overall dimensions



NHD0412R/L - NHD0612R/L



Rev. 3 01/2016



NHD0412
NHD0612
NHD8512
NHD1012
NHD1112
NHD1212

Rev. 3 01/2016

HAWK
Pompe Serie NHD 2014
NHD Pumps 2014 Series

SPARE PARTS KIT

KIT RICAMBI

Posizioni Item	Part Number and Description	Codice e descrizione	Q.tà per ogni Pompa Q.ty for each Pump	NHD0412R/L	NHD0612R/L	NHD8512R/L	NHD1012R/L	NHD1112R/L	NHD1212R/L
2- 4- 5- 6- 7- 8 9- 19	2602.31 Complete Seals Packing dia. 16 mm	2602.31 Pacco completo Guarnizioni pistone Ø16	3						
37- 38- 39- 40	2601.90 Plunger dia. 16 mm	2601.90 Pistone Ø16	3						
13- 14- 15	2600.12 Complete Valve	2600.12 Valvola completa	6						
3x (3)	2608.26 Plunger oil Seals	2608.26 Anelli tenuta olio Asta	1	◆	◆	◆	◆	◆	◆
2- 4- 5- 6- 7- 8 9- 10- 11- 12 13- 14- 15- 16 17- 18- 19- 20 21- 22	2602.32 Complete Manifold	2602.32 Testata Completa	1						
41- 42- 43- 44 45	3100.44 Connecting Rod-Plunger Rod Assy	3100.44 Premontato Biella-Asta pistone	3						

PARTS LIST

LISTA PARTI

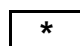
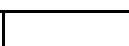
Pos. Item	Codice Part Number	Description	Descrizione	Q.tà per ogni Pompa Q.ty for each Pump	NHD0412R/L	NHD0612R/L	NHD8512R/L	NHD1012R/L	NHD1112R/L	NHD1212R/L
1	0202.35	Crankcase	Carter	1						
*2	0605.28	"O" Ring Ø1.78x74.5	"O" Ring Ø1.78x74.5	1						
*3	0001.05	Plunger oil seal	Anello radiale	3						
*4	0605.10	"O" Ring Ø1.78x26.7	"O" Ring Ø1.78x26.7	3						
*5	1400.62	Pressure ring washer dia. 16	Rondella pressione Ø16	3						
*6	0002.88	"U" seal, dia. 16 mm	Anello tenuta "U" Ø16	3						
*7	1201.74	Pressure ring dia. 16 mm	Pressore "V" Ø16	3						
*8	0002.89	"V" seal, dia. 16 mm	Anello tenuta "V" Ø16	3						
*9	0300.94	Support ring dia. 16 mm	Diffusore Ø16	3						
*10	0603.07	Copper washer G1/2	Guarnizione rame G1/2	1						
*11	1601.20	Brass plug G1/2	Tappo ottone G1/2	1	◆	◆	◆	◆	◆	◆
*12	1602.55	Manifold housing	Testata	1						
*13	0601.61	"O" Ring Ø1.78x15.6	"O" Ring Ø1.78x15.6	6						
*14	3604.60	Valve assembly	Valvola premontata	6						
*15	0601.22	"O" Ring Ø1,78x18.77	"O" Ring Ø1.78x18.77	6						
*16	1601.47	Valve plug	Tappo valvola	6						
*17	1601.21	Brass plug G1/4	Tappo ottone G1/4	1						
*18	0603.08	Copper washer G1/4	Guarnizione rame G1/4	1						
*19	1801.47	Manifold stud bolt M14x40	Vite TCEI M14x40	2						
*20	1403.02	Lock-Washer	Rosetta elastica Ø14	2						
*21	0603.06	Copper washer G3/8	Guarnizione rame G 3/8	1						
*22	1601.17	Brass plug G 3/8	Tappo ottone G 3/8	2						

PARTS LIST

LISTA PARTI

Pos. Item	Codice Part Number	Description	Descrizione	Q.tà per ogni Pompa Q.ty for each Pump	NHD0412R/L	NHD0612R/L	NHD8512R/L	NHD1012R/L	NHD1112R/L	NHD1212R/L
23	1503.22	Valve seat	Sede valvola	6						
24	1202.00	Valve plate	Piattello valvola	6						
25	0900.30	Valve spring	Molla valvola	6						
26	0604.07	Valve cage	Gabbia valvola	6						
27	1801.12	Screw M6x16	Vite TCEI M6x16	12	◆	◆	◆	◆	◆	◆
28	0203.18	Bearing cover	Coperchio cuscinetto	2						
29	0205.02	Bearing seal	Cappello cuscinetto	1						
30	0301.27	Crankshaft seal spacer	Distanziale paraolio albero	2						
31	1500.03	Snap ring dia. 25 mm	Anello Ø25	1						
32	0213.00	Ball bearing	Cuscinetto a sfere	2						
33	0006.89	" " "	" " "	1					◆	
	0006.90	" " "	" " "	1			◆			
	0006.91	" " "	" " "	1				◆		
	0006.92	" " "	" " "	1						◆
	0007.16	" " "	" " "	1	◆					
	0007.17	" " "	" " "	1		◆				
34	0206.04	Crankshaft key	Chiavetta	1			◆	◆	◆	◆
	0206.00	" "	"	1	◆	◆				
35	1600.15	Oil dip stick	Tappo livello olio	1						
36	0001.10	Crankshaft seal	Anello radiale	1						
*37	1802.04	Plunger Bolt	Vite pistone	3						
*38	1400.10	Copper spacer	Rosetta Rame	3						
*39	1200.45	Plunger dia. 16 mm	Pistone Ø 16	3						
*40	1400.27	Copper spacer	Rosetta Rame	3						
*41	0003.40	Plunger Rod	Asta Pistone	3						
*42	1502.04	Connecting rod pin	Spinotto	3	◆	◆	◆	◆	◆	◆
*43	0100.08	Connecting rod	Biella	3						
*44	1401.02	Spring washer dia. 6 mm	Rosetta Schnorr Ø6	6						
*45	1801.32	Connecting rod screw	Vite M6x30	6						
46	0605.13	"O" Ring Ø2.62x111.62	"O" Ring Ø2.62x111.62	1						
47	0203.67	Crankcase cover	Coperchio posteriore	1						
48	0601.14	"O" Ring Ø1.78x14	"O" Ring Ø1.78x14	1						
49	0700.05	Sight glass G3/4	Spia livelli olio G3/4	1						

  Part available in kit only

  Part available in kit also