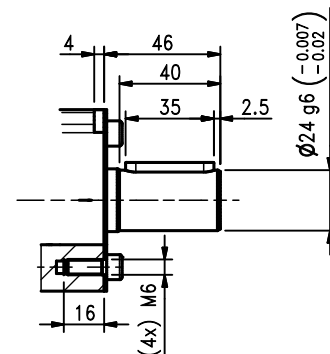
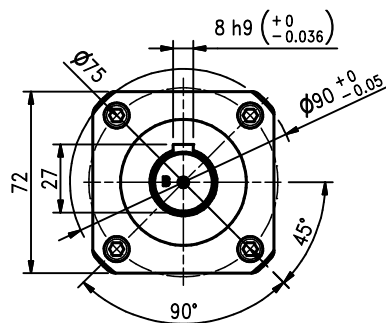
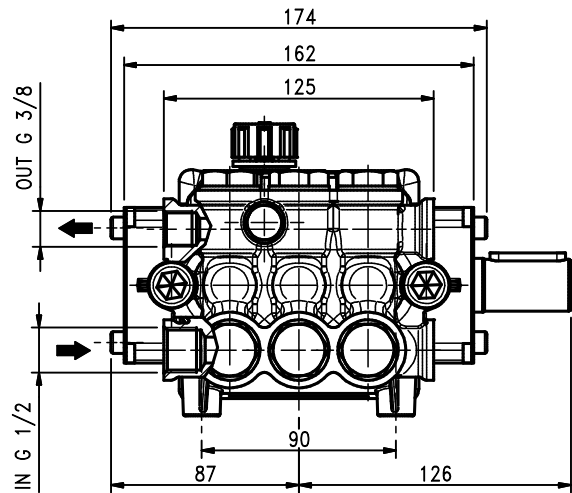
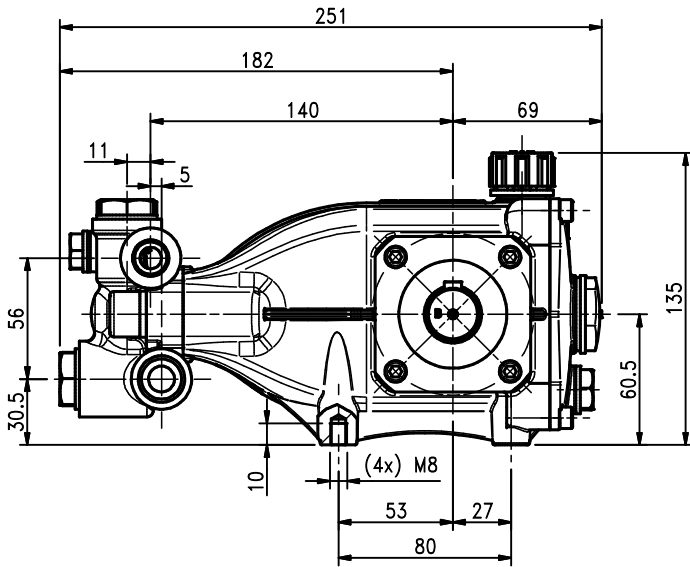


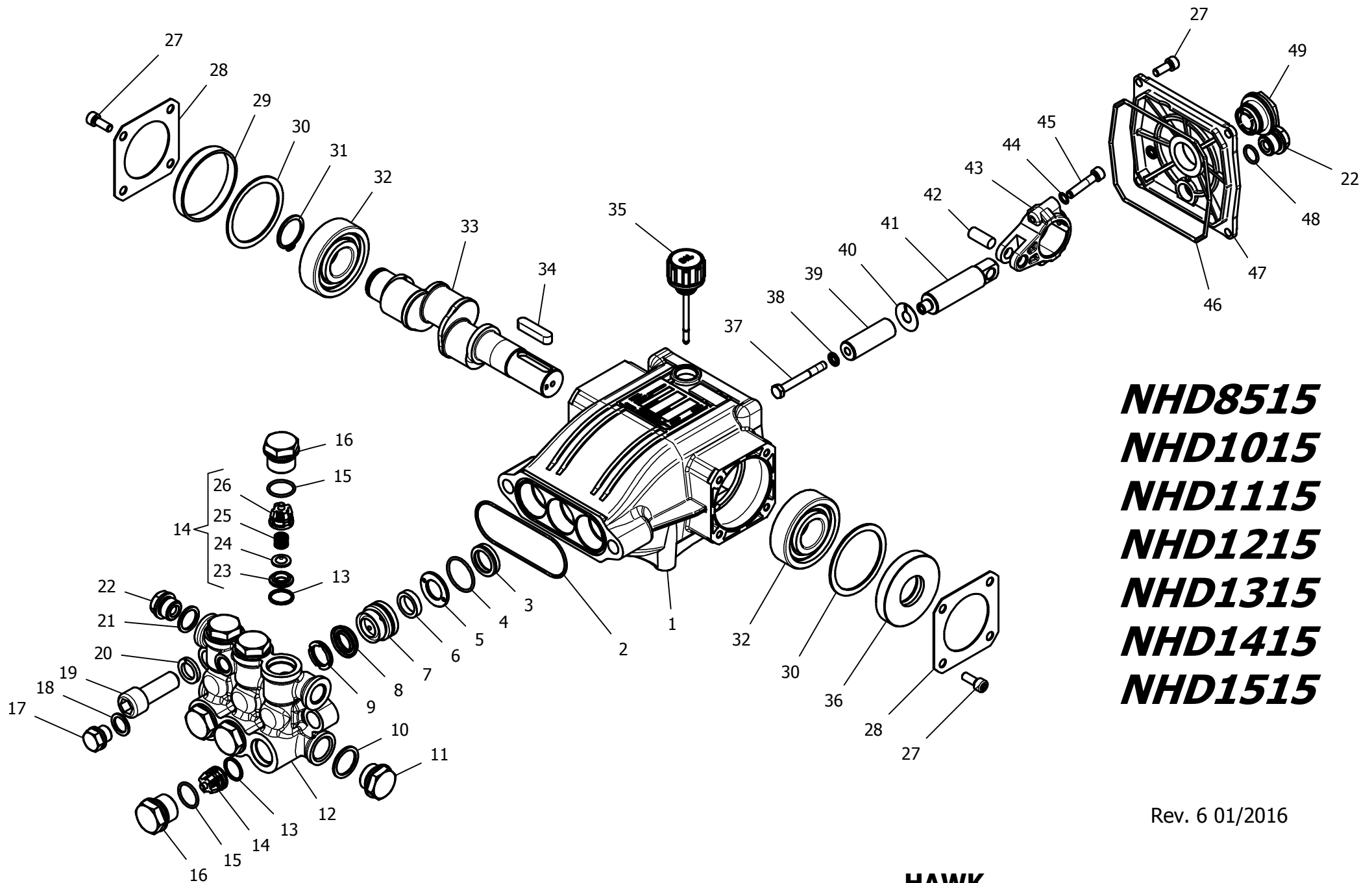
Pump Pompa	Pressure Pressione		Volume Portata				RPM giri/min		Power Potenza			
			l/min		GPM				HP		kW	
	bar	PSI	50 Hz	60 Hz	50 Hz	60 Hz	50 Hz	60 Hz	50 Hz	60 Hz	50 Hz	60 Hz
NHD8515	150	2200	8.5	10.1	2.2	2.7	1450	1740	3.2	3.8	2.4	2.9
NHD1015	150	2200	10	12.0	2.6	3.2	1450	1740	3.7	4.7	2.8	3.5
NHD1115	150	2200	11	13.2	2.9	3.5	1450	1740	4.3	5.1	3.2	3.8
NHD1215	150	2200	12	14.0	3.1	3.7	1450	1740	4.6	5.4	3.4	4.0
NHD1315	150	2200	13	15.5	3.4	4.0	1450	1740	5.0	5.8	3.7	4.3
NHD1415	150	2200	14	17.0	3.7	4.5	1450	1740	5.4	6.4	4.0	4.7
NHD1515	150	2200	15	18.0	4.0	4.7	1450	1740	5.8	7.0	4.3	5.2

Dimensioni d'ingombro

Overall dimensions



Rev. 6 01/2016



NHD8515
NHD1015
NHD1115
NHD1215
NHD1315
NHD1415
NHD1515

Rev. 6 01/2016

HAWK
Pompe Serie NHD 2014
NHD Pumps 2014 Series

SPARE PARTS KIT

KIT RICAMBI

Posizioni Item	Part Number and Description	Codice e descrizione	Q.tà per ogni Pompa Q.ty for each Pump	NHD8515R/L	NHD1015R/L	NHD1115R/L	NHD1215R/L	NHD1315R/L	NHD1415R/L	NHD1515R/L
3x (4- 6- 8- 9) 2- 19	2601.89 Plunger Seals dia. 16 mm	2601.89 Guarnizioni pistone Ø 16	1							
2- 4- 5- 6- 7- 8 9- 19	2601.88 Complete Seals Packing dia. 16 mm	2601.88 Pacco completo Guarnizioni pistone Ø 16	3							
37- 38- 39- 40	2601.90 Plunger dia. 16 mm	2601.90 Pistone Ø 16	3							
13- 14- 15	2600.12 Complete Valve	2600.12 Valvola completa	6							
3x (3)	2608.26 Plunger oil Seals	2608.26 Anelli tenuta olio Asta	1	◆	◆	◆	◆	◆	◆	◆
2- 4- 5- 6- 7- 8 9- 10- 11- 12 13- 14- 15- 16 17- 18- 19- 20 21- 22	2601.87 Complete Manifold	2601.87 Testata Completa	1							
41- 42- 43- 44 45	3100.44 Connecting Rod-Plunger Rod Assy	3100.44 Premontato Biella-Asta pistone	3							

PARTS LIST

LISTA PARTI

Pos. Item	Codice Part Number	Description	Descrizione	Q.tà per ogni Pompa Q.ty for each Pump	NHD8515R/L	NHD1015R/L	NHD1115R/L	NHD1215R/L	NHD1315R/L	NHD1415R/L	NHD1515R/L
1	0202.35	Crankcase	Carter	1							
*2	0605.28	"O" Ring Ø1.78x72.75	"O" Ring Ø1.78x72.75	1							
*3	0001.05	Plunger oil seal	Anello radiale	3							
*4	0605.10	"O" Ring Ø1.78x26.7	"O" Ring Ø1.78x26.7	3							
*5	1400.62	Pressure ring washer dia. 16	Rondella pressione Ø16	3							
*6	0002.88	"U" seal, dia. 16 mm	Anello tenuta "U" Ø16	3							
*7	1201.80	Pressure ring dia. 16 mm	Pressore "V" Ø16	3							
*8	0002.89	"V" seal, dia. 16 mm	Anello tenuta "V" Ø16	3							
*9	0300.94	Support ring dia. 16 mm	Diffusore Ø16	1							
*10	0603.07	Copper washer G1/2	Guarnizione rame G1/2	1							
*11	1601.20	Brass plug G1/2	Tappo ottone G1/2	1	◆	◆	◆	◆	◆	◆	◆
*12	1602.55	Manifold housing	Testata	1							
*13	0601.61	"O" Ring Ø1.78x15.6	"O" Ring Ø1.78x15.6	6							
*14	3604.60	Valve assembly	Valvola premontata	6							
*15	0601.22	"O" Ring Ø1,78x18.77	"O" Ring Ø1.78x18.77	6							
*16	1601.47	Valve plug	Tappo valvola	6							
*17	1601.21	Brass plug G1/4	Tappo ottone G1/4	1							
*18	0603.08	Copper washer G1/4	Guarnizione rame G1/4	1							
*19	1801.47	Manifold stud bolt M14x40	Vite TCEI M14x40	2							
*20	1403.02	Lock-Washer	Rosetta elastica Ø14	2							
*21	0603.06	Copper washer G3/8	Guarnizione rame G 3/8	1							
*22	1601.17	Brass plug G 3/8	Tappo ottone G 3/8	2							

PARTS LIST

LISTA PARTI

Pos. Item	Codice Part Number	Description	Descrizione	Q.tà per ogni Pompa Q.ty for each Pump	NHD8515R/L	NHD1015R/L	NHD1115R/L	NHD1215R/L	NHD1315R/L	NHD1415R/L	NHD1515R/L
23	1503.22	Valve seat	Sede valvola	6							
24	1202.00	Valve plate	Piattello valvola	6							
25	0900.30	Valve spring	Molla valvola	6							
26	0604.07	Valve cage	Gabbia valvola	6							
27	1801.12	Screw M6x16	Vite TCEI M6x16	12	◆	◆	◆	◆	◆	◆	◆
28	0203.18	Bearing cover	Coperchio cuscinetto	2							
29	0205.02	Bearing seal	Cappellotto cuscinetto	1							
30	0301.27	Crankshaft seal spacer	Distanziale paraolio albero	2							
31	1500.03	Snap ring dia. 25 mm	Anello Ø25	1							
32	0213.00	Ball bearing	Cuscinetto a sfere	2							
33	0006.81	Single-ended shaft	Albero semplice P.d.F	1							◆
	0006.88	" " "	" " "	1						◆	
	0006.89	" " "	" " "	1			◆				
	0006.90	" " "	" " "	1	◆						
	0006.91	" " "	" " "	1		◆					
	0006.92	" " "	" " "	1				◆			
	0006.93	" " "	" " "	1					◆		
34	0206.04	Crankshaft key	Chiavetta	1							
35	1600.15	Oil dip stick	Tappo livello olio	1							
36	0001.10	Crankshaft seal	Anello radiale	1							
*37	1802.04	Plunger Bolt	Vite pistone	3							
*38	1400.10	Copper spacer	Rosetta Rame	3							
*39	1200.45	Plunger dia. 16 mm	Pistone Ø16	3							
*40	1400.27	Copper spacer	Rosetta Rame	3							
*41	0003.40	Plunger Rod	Asta Pistone	3	◆	◆	◆	◆	◆	◆	◆
*42	1502.04	Connecting rod pin	Spinotto	3							
*43	0100.08	Connecting rod	Biella	3							
*44	1401.02	Spring washer dia. 6 mm	Rosetta Schnorr Ø6	6							
45	1801.32	Connecting rod screw	Vite M6x30	6							
46	0605.13	"O" Ring Ø2.62x111.62	"O" Ring Ø2.62x111.62	1							
47	0203.67	Crankcase cover	Coperchio posteriore	1							
48	0601.14	"O" Ring Ø1.78x14	"O" Ring Ø1.78x14	1							
49	0700.05	Sight glass G3/4	Spia livelli olio G3/4	1							

Part available
in kit only

* Part available
in kit also