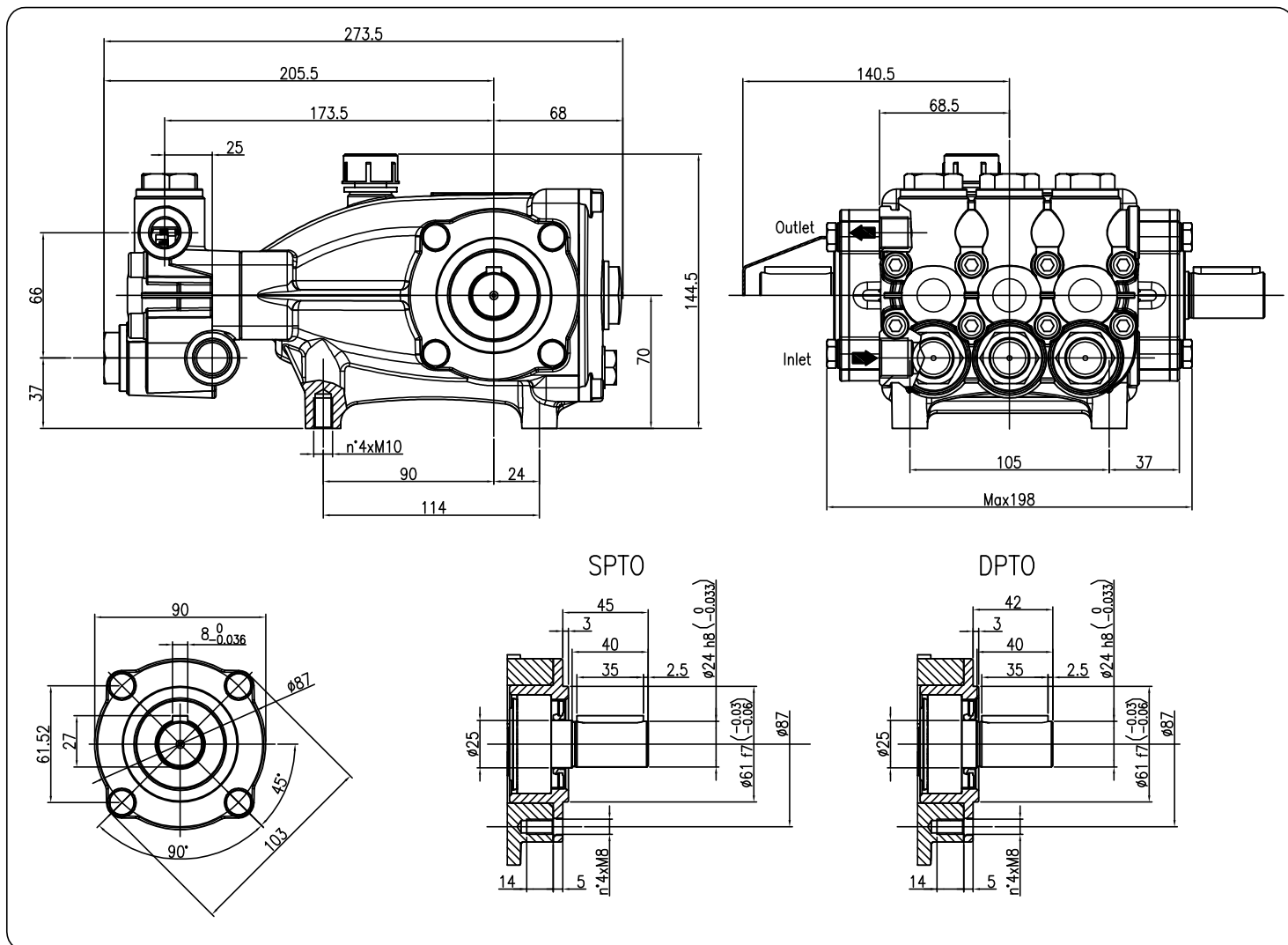
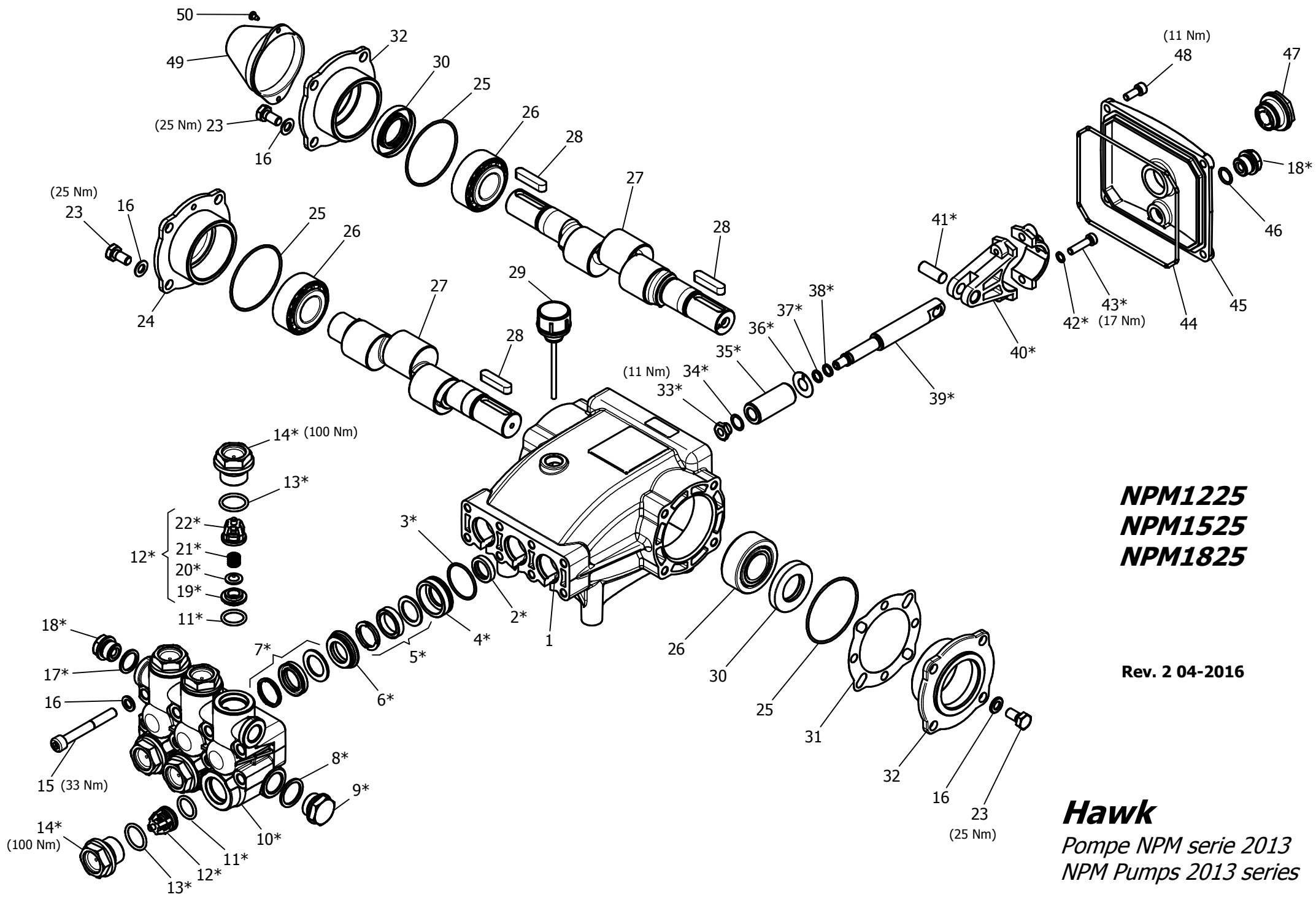


Pump Pompe Pumpen Pompa	Pressure Pression Druck Pressione		Volume Débit Leistung Portata		RPM tours/min u.p.m. giri/min	Required HP Puissance HP Leistung HP Potenza HP	Inlet port Entrée Eingang Aspirazione	Outlet Sortie Ausgang Mandata	Weight Kg Poids Kg Gewicht Kg Peso Kg
	bar	PSI	l/min	GPM					
NPM1225	250	3625	12	3.2	1450	7.7	G 1/2	G 3/8	9.5
			14.4	3.8	1740	9.2			
NPM1525	250	3625	15	4.0	1450	9.6	G 1/2	G 3/8	9.5
			18	4.7	1740	11.5			
NPM1825	250	3625	18	4.7	1450	11.5	G 1/2	G 3/8	9.5
			21.6	5.6	1740	13.8			

Dimensioni d' ingombro

Overall dimensions





NPM1225
NPM1525
NPM1825

Rev. 2 04-2016

Hawk
 Pompe NPM serie 2013
 NPM Pumps 2013 series

Posizioni Item	Part Number and Description	Descrizione	Q.tà per ogni pompa Q.ty for each Pump	NPM1225R/L	NPM1525R/L	NPM1825B	NPM1825R/L
3x (3- 5- 7)	2600.79 Plunger Seals 18 mm	2600.79 Guarnizioni pistone Ø18	1				
3- 4- 5- 6- 7	2600.80 Complete Seals Packing 18 mm	2600.80 Pacco completo Guarnizioni pistone Ø18	3				
33- 34- 35- 36 37- 38	2600.81 Plunger 18 mm	2600.81 Pistone Ø18	3				
11- 12 (19- 20 21- 22) 13	2600.08 Complete Valve	2600.08 Valvola completa	6	◆	◆	◆	◆
3x (2)	2608.03 Plunger oil Seals	2608.03 Anelli tenuta olio Asta	1				
3- 4- 5- 6- 7- 8 9- 10- 11- 12- 13 (19- 20- 21- 22) 14- 17- 18	2600.75 Complete Manifold	2600.75 Testata Completa	1				
39- 40- 41- 42 43	3100.13 Connecting Rod-Plunger Rod Assy	3100.13 Premontato Biella-Asta pistone	3				

IMPORTANT

*		Part available in kit only
---	--	-------------------------------

IMPORTANTE

Particol. disponibile
solo in kit

PARTS LIST**LISTA PARTI**

Pos. Item	Codice Part Number	Description	Descrizione	Q.tà per ogni pompa Q.ty for each Pump	NPM1225R/L	NPM1525R/L	NPM1825B	NPM1825R/L
1	0202.95	Crankcase	Carter	1				
*2	0001.03	Plunger oil seal	Anello radiale	3				
*3	0601.07	"O" Ring Ø1.78x31.47	"O" Ring Ø1.78x31.47	3				
*4	1201.38	Pressure ring 18mm	Pressore "U" Ø18	3				
*5	0002.51	Low pressure "U" seal, dia.18mm	Anello tenuta "U" Ø18	3				
*6	0300.16	Intermed. ring 18mm	Diffusore Interm. Ø18	3				
*7	0002.64	High pressure "U" seal, dia.18mm	Anello tenuta "U" Ø18	3				
*8	0603.07	Copper washer G1/2	Guarnizione rame	1				
*9	1601.20	Brass plug G1/2	Tappo G1/2	1				
*10	1602.34	Manifold housing	Testata	1				
*11	0601.19	"O" Ring Ø2.62x17.13	"O" Ring Ø2.62x17.13	6	◆	◆	◆	◆
*12	3604.70	Valve assembly	Valvola premontata	6				
*13	0601.65	"O" Ring Ø2.62x20.29	"O" Ring Ø2.62x20.29	6				
*14	1601.30	Valve plug	Tappo valvola	6				
15	1801.03	Manifold stud bolt M8x65	Vite M8x65 Dacromet	8				
16	1400.01	Washer Ø8,5	Rosetta Ø8.5	16				
*17	0603.06	Copper washer G3/8	Guarnizione rame	1				
*18	1601.17	Brass plug G3/8	Tappo G3/8	2				
*19	1503.18	Valve seat	Sede valvola	6				
*20	1202.00	Valve plate	Piattello valvola	6				
*21	0900.30	Valve spring	Molla valvola	6				
*22	0604.05	Valve cage	Gabbia valvola	6				

PARTS LIST

NPM 2013

LISTA PARTI

Pos. Item	Codice Part Number	Description	Descrizione	Q.tà per ogni pompa Q.ty for each Pump	NPM1225R/L	NPM1525R/L	NPM1825B	NPM1825R/L
23	1802.03	Hexagonal screw M8x18	Vite M8x18	8	◆	◆	◆	◆
24	0500.61	Closed bearing housing	Flangia chiusa	→	1	1	2	1
25	0601.63	"O" Ring Ø1.78x60.05	"O" Ring Ø1.78x60.05	2	◆	◆	◆	◆
26	0200.06	Roller bearing 33205	Cuscinetto a rulli 33205	2				
27	0006.15	Single - ended shaft	Albero semplice P.d.F.	1		◆		
	0006.16	Single - ended shaft	Albero semplice P.d.F.	1	◆			
	0006.19	Single - ended shaft	Albero semplice P.d.F.	1				◆
	0007.41	Double - ended shaft	Albero doppia P.d.F.	1			◆	
28	0206.04	Crankshaft key	Chiavetta	→	1	1	2	1
29	1600.15	Oil dip stick	Tappo livello olio	1	◆	◆	◆	◆
30	0001.02	Crankshaft seal	Anello radiale	→	1	1	2	1
31	0301.02	Shim	Distanziale	1	◆	◆	◆	◆
32	0500.60	Bearing housing	Flangia	→	1	1	2	1
*33	0302.19	Plunger nut	Dado pistone	3				
*34	1400.12	Copper spacer Ø 11.2/15x0.5	Rosetta rame Ø 11.2/15x0.5	3				
*35	1200.09	Plunger 18mm	Pistone Ø18	3				
*36	1400.15	Copper spacer Ø 11.3/24x0.5	Rosetta rame Ø 11.3/24x0.5	3				
*37	0601.03	"O" Ring Ø1.78x7.66	"O" Ring Ø1.78x7.66	3				
*38	0009.04	Teflon ring	Anello antiestrusione	3				
*39	0003.28	Plunger rod	Asta pistone	3				
*40	0100.01	Connecting rod	Biella	3	◆	◆	◆	◆
*41	1502.06	Connecting rod pin	Spinotto	3				
*42	1401.02	Spring washer Ø6	Rosetta elastica Ø6	6				
*43	1801.32	Connecting rod screw M6x30	Vite M6x30	6				
44	0601.88	"O" Ring Ø 2.62x126.67	"O" Ring Ø 2.62x126.67	1				
45	0203.59	Crankcase cover	Coperchio posteriore	1				
46	0601.14	"O" Ring Ø1.78x14	"O" Ring Ø1.78x14	1				
47	0700.05	Sight glass, G3/4	Spia livello olio G3/4	1				
48	1801.12	Screw M6x16	Vite M6x16	4				
49	0205.03	Shaft protector	Cappellotto protez.	1			◆	
50	1804.03	Shaft protector Screw	Vite Cappellotto	2				