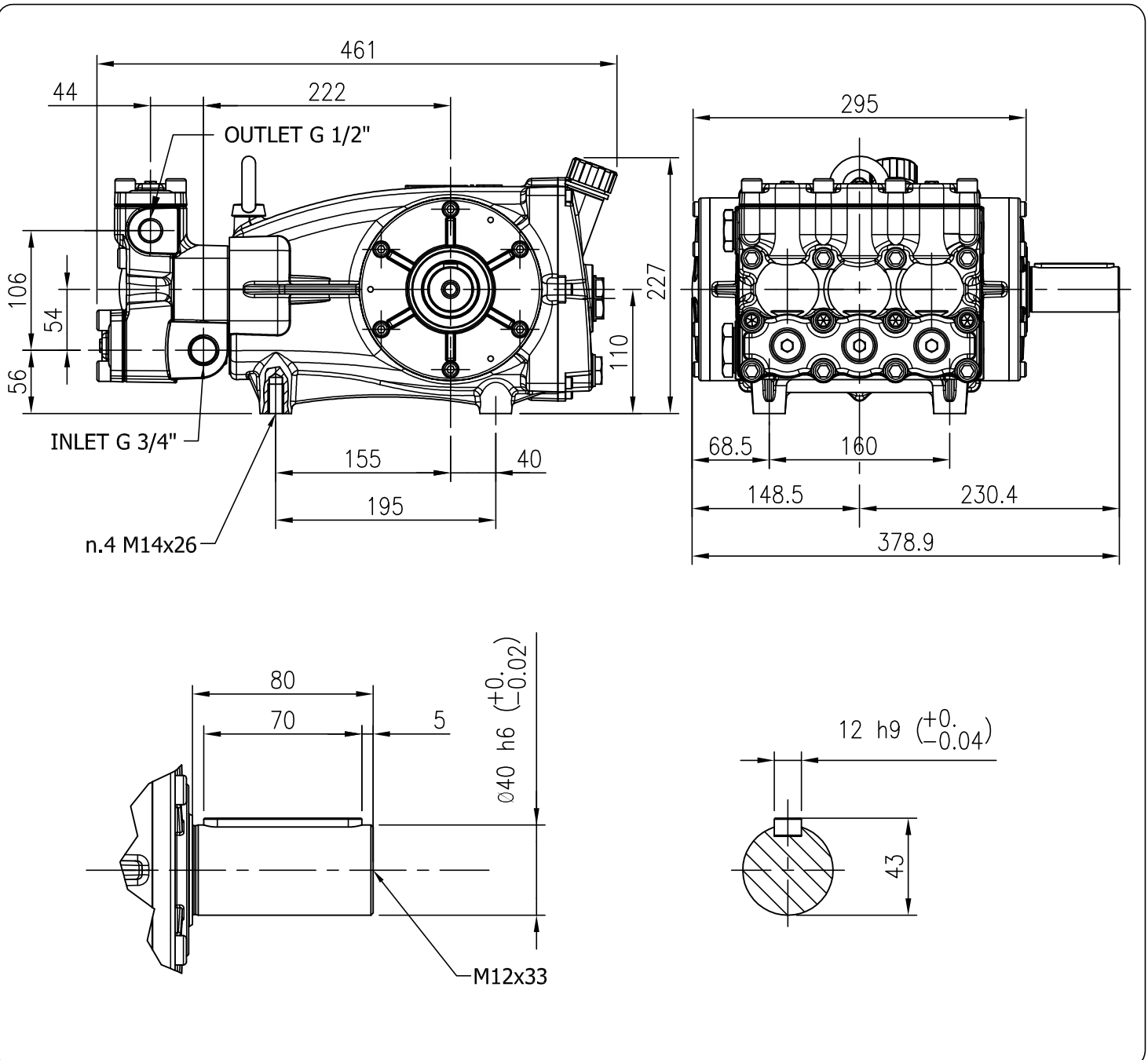


Pump Pompe Pumpen Pompa	Pressure Pression Druck Pressione		Volume Débit Leistung Portata		RPM tours/min u.p.m. giri/min	Required Puissance Leistung Potenza		Inlet port Entrée Eingang Aspirazione	Outlet Sortie Ausgang Mandata	Weight Kg Poids Kg Gewicht Kg Peso Kg
	bar	PSI	l/min	GPM		HP	kW			
HHP25S	500	7250	25	6.6	1000	32.6	24.0	G 3/4	G 1/2	51
HHP30S	500	7250	30	7.9	1000	37.0	27.2	G 3/4	G 1/2	51
HHP38F	350	5000	38	10.0	1450	34.1	25.1	G 3/4	G 1/2	51

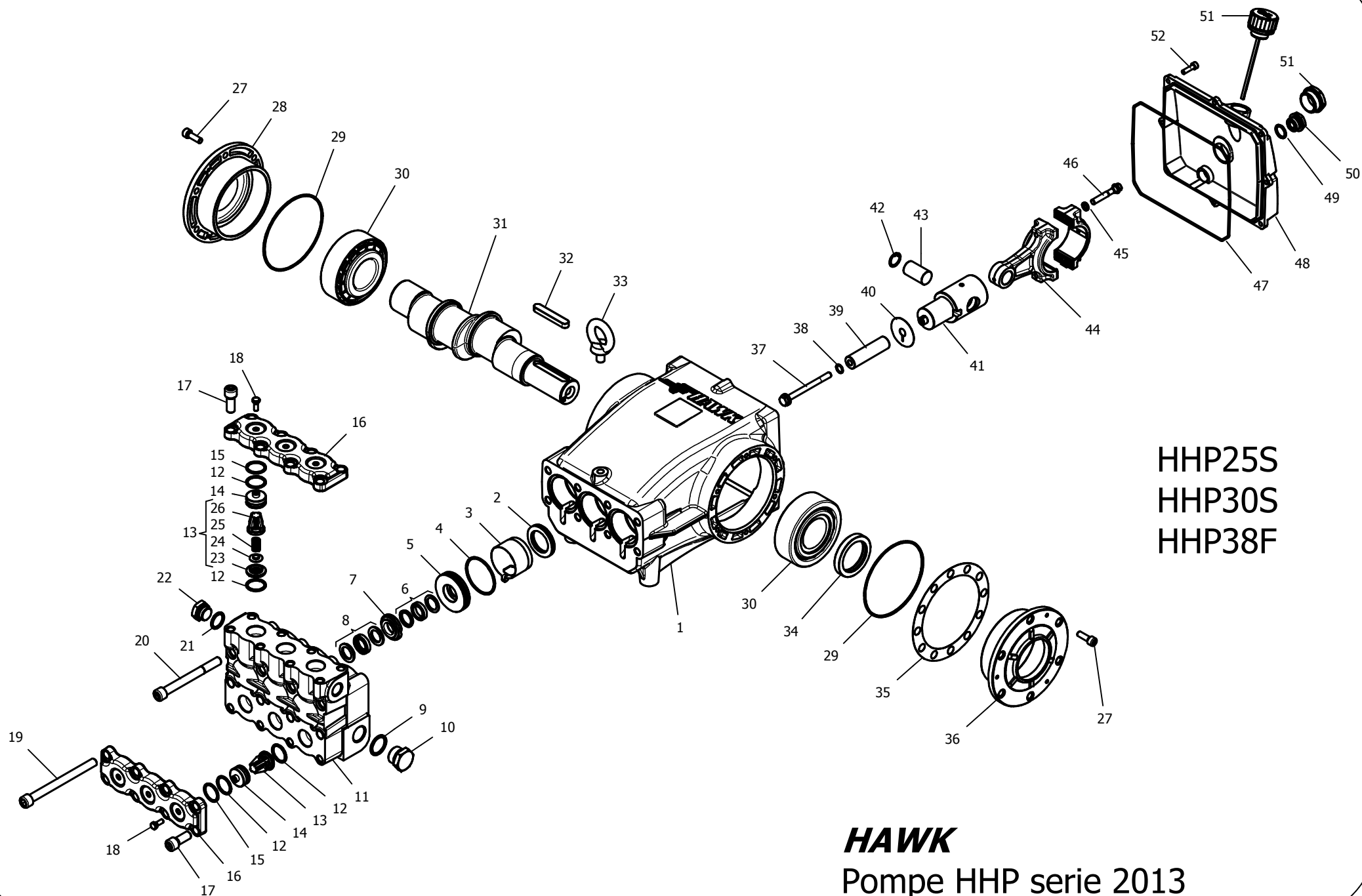
Dimensioni d'ingombro

Overall dimensions



Lubrificazione: Olio SAE 10W40
Capacità 3,5 Litri

Lubrication: SAE 10W40 Oil
Capacity 3,5 Litres



HHP25S
HHP30S
HHP38F

HAWK
Pompe HHP serie 2013
HHP pumps 2013 series

HHP pumps 2013 series

SPARE PARTS KIT

KIT RICAMBI

Posizioni Items	Part Number & Description	Codice e Descrizione	Q.tà per ogni Pompa Q.ty fpr each Pump	HHP25SR/L	HHP30SR/L	HHP38FR/L
3x (4- 6- 8)	2600.70 Plunger Seals 20 mm	2600.70 Guarnizioni pistone Ø20	1			
4- 5- 6- 7- 8	2600.71 Complete Seals Packing 20 mm	2600.71 Pacco completo guarnizioni pistone Ø20	3	◆	◆	◆
37- 38- 39- 40	2600.72 Plunger 20 mm	2600.72 Pistone Ø20	3			
12- 13- 15	2600.73 Complete valve	2600.73 Valvola completa	6			◆
12- 13- 15	2600.86 Complete valve	2600.86 Valvola completa	6	◆	◆	
3x (2- 3)	2600.64 Plunger Oil Seals	2600.64 Anelli tenuta olio asta	1	◆	◆	◆
4- 5- 6- 7- 8- 9 10- 11- 12- 13 14- 15- 16- 17 18- 21- 22	2600.74 Complete Manifold	2600.74 Testata completa	1			◆
4- 5- 6- 7- 8- 9 10- 11- 12- 13 14- 15- 16- 17 18- 21- 22	2600.87 Complete Manifold	2600.87 Testata completa	1	◆	◆	

PARTS LIST

LISTA PARTI

Pos. Item	Codice Part Number	Description	Descrizione	Q.tà per ogni Pompa Q.ty fpr each Pump	HHP25SR/L	HHP30SR/L	HHP38FR/L
1	0202.94	Carter	Carter	1			
*2	0001.15	Plunger oil seal	Anello radiale	3			
*3	0101.24	Plastic Bushing	Boccola paraolio aste	3			
*4	0601.16	"O" Ring Ø2,62x56,82	"O" Ring Ø2,62x56,82	3			
*5	1201.52	Pressure ring Ø20 mm	Pressore Ø20 mm	3			
*6	0002.52	"U" seal, Ø20x28 mm	Anello tenuta "U" Ø20x28 mm	3	◆	◆	◆
*7	0300.70	Intermed.ring Ø20 mm	Diffusore Intern. Ø20 mm	3			
*8	0002.66	"U" seal, Ø20x30 mm 350-500 BAR	Anello tenuta "U" Ø20x30 mm 350-500 BAR	3			
*9	0603.11	Copper washer	Guarnizione rame G3/4 Ø26,7/32,5x1,5	1			
*10	1601.58	Inox plug G3/4	Tappo G 3/4 Inox	1			
*11	1602.33	Manifold housing	Testata	1	◆	◆	
	1602.36	Manifold housing	Testata	1			◆
*12	0601.66	"O" Ring Ø2,62x25,07-3100	"O" Ring Ø2,62x25,07-3100	12			◆
	0601.97	"O" Ring Ø2,62x22,22	"O" Ring Ø2,62x22,22	12	◆	◆	
*13	3604.02	Valve assembly	Valvola premontata	6			◆
	3604.03	Valve assembly	Valvola premontata	6	◆	◆	
*14	1601.63	Valve plug	Tappo valvola	6			◆
	1601.64	Valve plug	Tappo valvola	6	◆	◆	

HHP pumps 2013 series

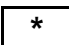
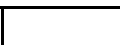
PARTS LIST

LISTA PARTI

Pos. Item	Codice Part Number	Description	Descrizione	Q.tà per ogni Pompa Q.ty for each Pump	HHP25SR/L	HHP30SR/L	HHP38FR/L
*15	0009.41	Back ring	Anello antiestrusione	6			◆
	0009.42	Back ring	Anello antiestrusione	6	◆	◆	
*16	0203.54	Valves cover	Coperchio VAM	2			
*17	1801.07	Valves cover screw	Vite TCEI M12x30 UNI 5931	12			
*18	1802.01	Valve plug screw	Vite TE M6x16 UNI 5739	6			
19	1801.09	Manifold stud bolt	Vite TCEI M12x140 UNI 5931	4	◆	◆	◆
20	1801.10	Manifold stud bolt	Vite TCEI M12x120 UNI 5931	4			
*21	0603.07	Copper washer	Guarnizione rame G1/2 Ø	1			
*22	1601.54	Inox plug G1/2	Tappo G1/2 inox	1			
23	1503.32	Valve seat	Sede valvola	6			◆
	1503.33	Valve seat	Sede valvola	6	◆	◆	
24	1202.15	Valve plate	Piattello valvola	6			
25	0900.32	Valve spring	Molla valvola	6			
26	0604.13	Valve cage	Gabbia valvola	6			
27	1801.06	Bearing housing screw	Vite TCEI M8x25 UNI 5931	12	◆	◆	◆
28	0500.98	Closed bearing housing	Flangia chiusa	1			
29	0601.12	"O" Ring Ø2,62x120,32	"O" Ring Ø2,62x120,32 NBR	2			
30	0200.12	Roller bearing	Cuscinetto 32310 rulli conici	2			
31	0006.21	Single - endend crankshaft	Albero singola P.d.F.	1			◆
	0006.24	Single - endend crankshaft	Albero singola P.d.F.		◆		
	0006.25	Single - endend crankshaft	Albero singola P.d.F.	1		◆	
32	0206.07	Crankshaft key	Chiavetta	1			
33	1800.12	Eyebolt	Golfare M12	1			
34	0001.14	Crankshaft seal	Anello radiale	1			
35	0301.12	Shim	Distanziale	1			
36	0500.97	Bearing housing	Flangia aperta	1			
*37	1800.11	Plunger bolt	Vite pistone	3			
*38	0601.15	"O" Ring Ø1,78x11,11	"O" Ring Ø1,78x11,11	3			
*39	1200.27	Plunger 20 mm	Pistone Ø20	3			
*40	1400.55	Copper spacer	Rosetta rame pistone	3			
41	0003.22	Plunger rod	Asta pattino	3			
42	1501.05	Snap ring	Anello Ø22	6	◆	◆	◆
43	1502.05	Connecting rod pin	Spinotto	3			
44	0100.09	Connecting rod	Biella	3			
45	1403.05	Spring washer	Rosetta elastica Ø8	6			
46	1800.13	Connecting rod screw	Vite biella	6			
47	0601.11	"O" ring Ø 2,62x209,23	"O" ring Ø 2,62x209,23	1			
48	0203.55	Cranckcase cover	Coperchio carter	1			
49	0601.19	"O" Ring Ø2,62x17,13	"O" Ring Ø2,62x17,13	1			
50	1601.20	Brass plug G1/2	Tappo G1/2 ottone	1			
51	0700.06	Sight glass G1	Spia livello olio G1	1			
52	1600.13	Oil dip stick G3/4	Tappo sfiato olio G3/4	1			
53	1801.26	Cover screw	Vite TCEI M6x22 UNI 5931	8			

  Part available
in kit only

**Particol. disponibile
solo in kit**

  Part available
in kit also

**Particol. disponibile
anche in kit**