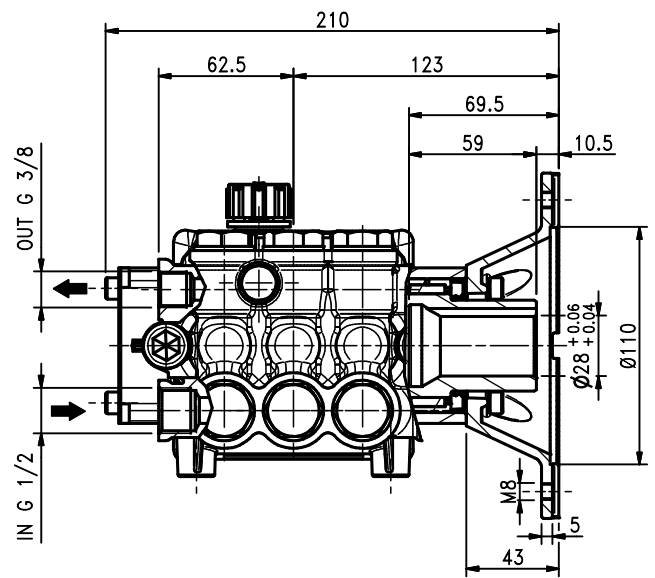
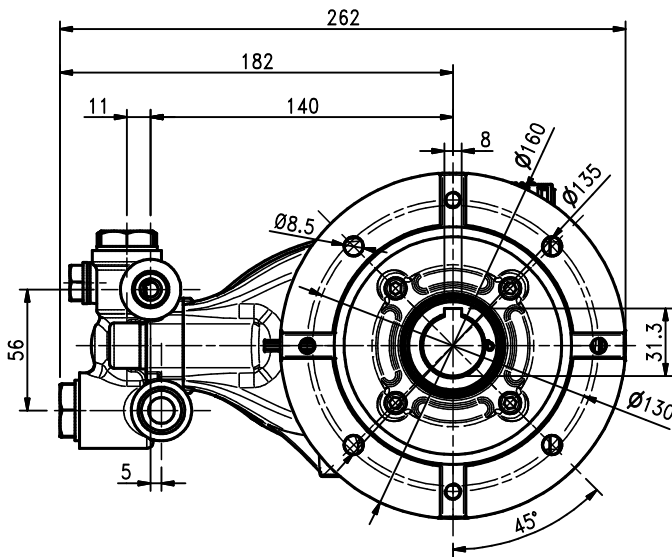


Pump Pompa	Pressione Pressione		Volume Portata				RPM giri/min		Power Potenza			
			l/min		GPM				HP		kW	
	bar	PSI	50 Hz	60 Hz	50 Hz	60 Hz	50 Hz	60 Hz	50 Hz	60 Hz	50 Hz	60 Hz
NHD8512C1	120	1740	8.5	10.1	2.2	2.7	1450	1740	2.6	3.1	1.9	2.3
NHD8512C	120	1740	8.5	10.1	2.2	2.7	1450	1740	2.6	3.1	1.9	2.3
NHD1012C	120	1740	10	12.0	2.6	3.2	1450	1740	3.0	3.6	2.2	2.6
NHD1112C	120	1740	11	13.2	2.9	3.5	1450	1740	3.4	4.1	2.5	3.0
NHD1212C	120	1740	12	14.0	3.1	3.7	1450	1740	3.6	4.4	2.7	3.2

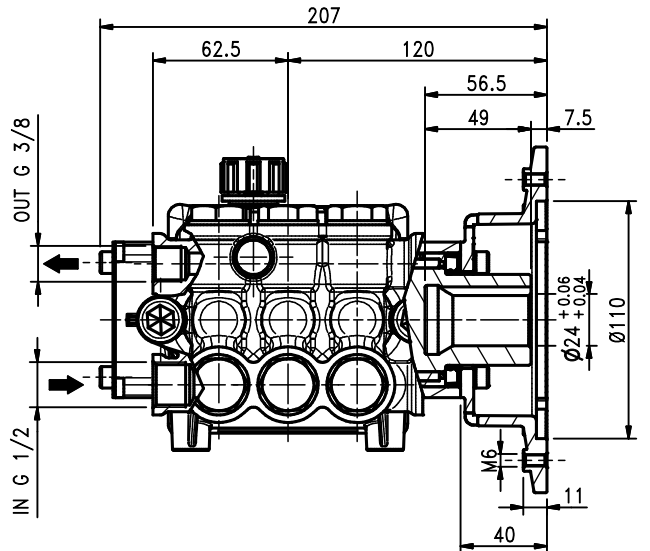
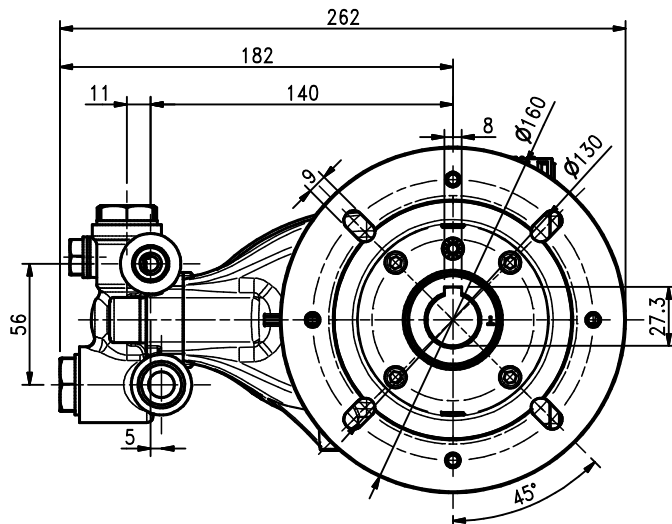
Dimensioni d'ingombro

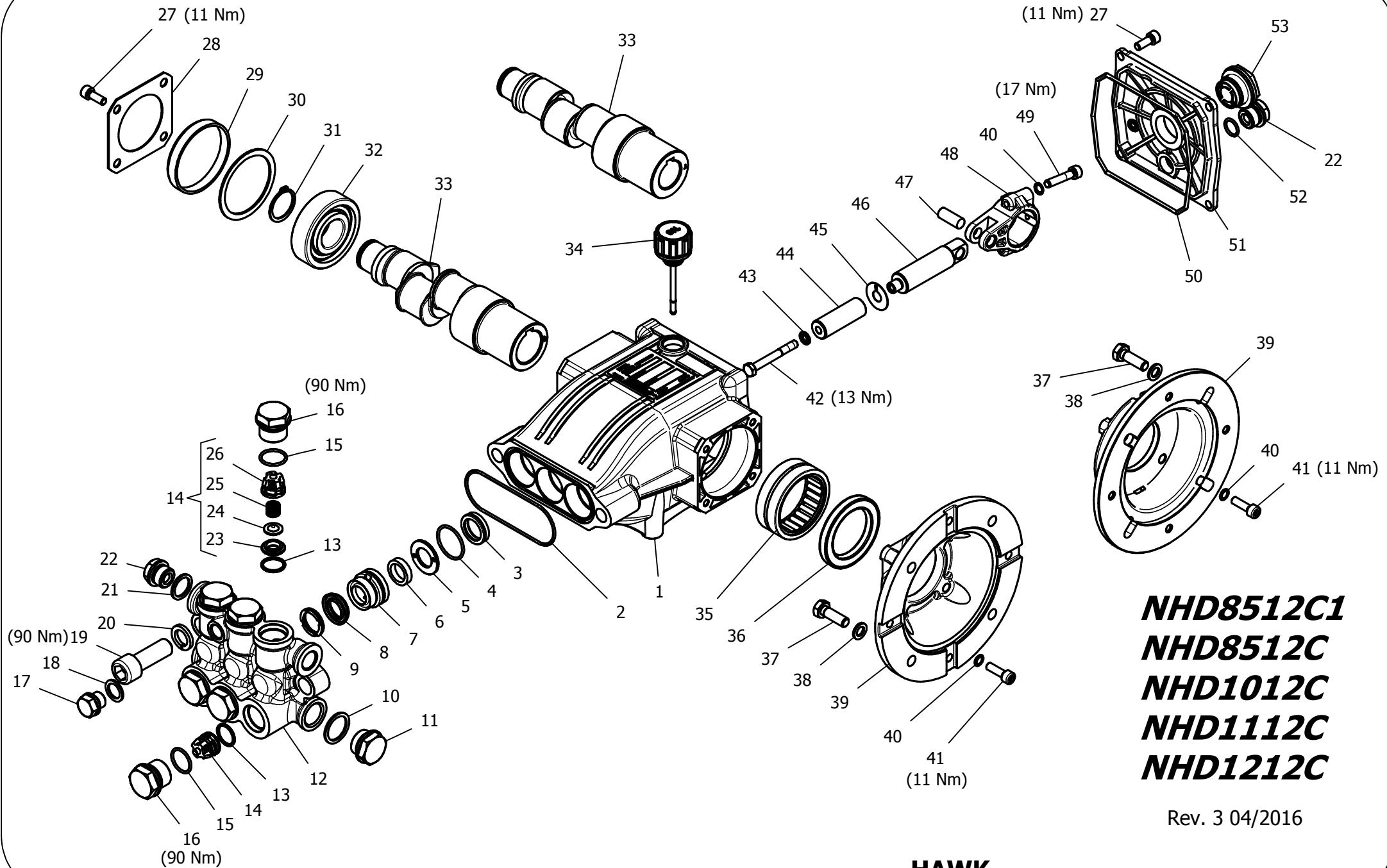
Overall dimensions

NHD8512C - NHD1012C - NHD1112C - NHD1212C



NHD8512C1





NHD8512C1
NHD8512C
NHD1012C
NHD1112C
NHD1212C

Rev. 3 04/2016

HAWK
Pompe Serie NHD 2014
NHD Pumps 2014 Series

NHD C 120 BAR 2014

MAINTENANCE KIT / KIT MANUTENZIONE

NB: Necessary quantity to repair one pump
NB: Quantità necessaria per riparare una pompa

Item Pos	Part Number Codice	Description	Descrizione	Q.TY Q.TÀ	NHD8512C1	NHD8512C	NHD1012C	NHD1112C	NHD1212C
2- 4- 5- 6- 7- 8- 9 19	2602.31	COMPLETE SEAL PACKING	PACCO COMPLETO GUARNIZIONI	3					
42- 43- 44- 45	2601.90	PLUNGER DIA. 16 mm	PISTONE COMPLETO Ø16 mm	3					
13- 14- 15	2600.12	COMPLETE VALVE	VALVOLA COMPLETA	6					
3x (3)	2608.26	PLUNGER OIL SEALS	ANELLI TENUTE OLIO ASTA	1	•	•	•	•	•
2- 3- 4- 5- 6- 7- 8 9- 10- 11- 12- 13 14 (23- 24- 25- 26) 15- 16- 17- 18 19- 20- 21- 22	2602.32	COMPLETE MANIFOLD	TESTATA COMPLETA	1					
40- 46- 47- 48- 49	3100.44	CONNECTING ROD-PLUNGER ROD ASSY	PREMONTATO BIELLA-ASTA PISTONE	3					

IMPORTANT

IMPORTANTE

* Part available ONLY in kit
Disponibile SOLO in kit

PARTS LIST LISTA PARTI

Item Pos	Part Number Codice	Description	Descrizione	Q.TY Q.TA	NHD8512C1	NHD8512C	NHD1012C	NHD1112C	NHD1212C
1	0202.35	Crankcase	Carter	1					
*2	0605.28	"O" Ring Ø1.78x74.5	"O" Ring Ø1.78x74.5	1					
*3	0001.05	Plunger oil seal	Anello radiale	3					
*4	0605.10	"O" Ring Ø1.78x26.7	"O" Ring Ø1.78x26.7	3					
*5	1400.62	Pressure ring washer dia. 16 mm	Rondella pressore Ø16	3					
*6	0002.88	"U" seal, dia. 16 mm	Anello tenuta "U" Ø16	3					
*7	1201.74	Pressure ring dia. 16 mm	Pressore "V" Ø16	3					
*8	0002.89	"V" seal, dia. 16 mm	Anello tenuta "V" Ø16	3					
*9	0300.94	Support ring dia. 16 mm	Diffusore Ø16	3					
*10	0603.07	Copper washer G1/2	Guarnizione rame G1/2	1					
*11	1601.20	Brass plug G1/2	Tappo ottone G1/2	1					
*12	1602.55	Manifold housing	Testata	1					
*13	0601.61	"O" Ring Ø1.78x15.6	"O" Ring Ø1.78x15.6	6					
*14	3604.60	Valve assembly	Valvola premontata	6					
*15	0601.22	"O" Ring Ø1,78x18.77	"O" Ring Ø1.78x18.77	6					
*16	1601.47	Valve plug	Tappo valvola	6	•	•	•	•	•
*17	1601.21	Brass plug G1/4	Tappo ottone G1/4	1					
*18	0603.08	Copper washer G1/4	Guarnizione rame G1/4	1					
*19	1801.47	Manifold stud bolt M14x40	Vite TCEI M14x40	2					
*20	1403.02	Lock-Washer	Rosetta elastica Ø14	2					
*21	0603.06	Copper washer G3/8	Guarnizione rame G 3/8	1					
*22	1601.17	Brass plug G 3/8	Tappo ottone G 3/8	2					
*23	1503.22	Valve seat	Sede valvola	6					
*24	1202.00	Valve plate	Piattello valvola	6					
*25	0900.30	Valve spring	Molla valvola	6					
*26	0604.07	Valve cage	Gabbia valvola	6					
27	1801.12	Screw M6x16	Vite TCEI M6x16	8					
28	0203.18	Bearing cover	Coperchio cuscinetto	2					
29	0205.02	Bearing seal	Cappellotto cuscinetto	1					
30	0301.27	Crankshaft seal spacer	Distanziale paraolio albero	1					
31	1500.03	Snap ring dia. 25 mm	Anello Ø25	1					
32	0213.00	Ball bearing	Cuscinetto a sfere	1					
33	0007.00	Hollow shaft dia. 28	Albero cavo Ø28	1		•			
	0007.01	" " " "	" " "	1			•		
	0007.02	" " " "	" " "	1				•	
	0007.03	" " " "	" " "	1					•
	0007.52	Hollow shaft dia. 24	Albero cavo Ø24	1	•				
34	1600.15	Oil dip stick	Tappo livello olio	1	•	•	•	•	•

Item Pos	Part Number Codice	Description	Descrizione	Q.TY Q.TA	NHD8512C1	NHD8512C	NHD1012C	NHD1112C	NHD1212C
35	0200.13	Needle Roller Bearing	Cuscinetto a rullini	1					
36	0001.19	Crankshaft seal	Anello radiale	1					
37	1802.06	Hexagonal Screw M8x25	Vite TE M8x25	4	•	•	•	•	•
38	1400.01	Washer dia. 8,5 mm	Rosetta Ø8,5	4					
39	0500.66	Motor Flange	Flangia Motore	1	•				
	0500.68	“ “	“ “	1		•	•	•	•
*40	1401.02	Spring washer dia. 6 mm	Rosetta Schnorr Ø6	10					
41	1801.41	Screw M6x20	Vite TCEI M6x20	4					
*42	1802.04	Plunger Bolt	Vite pistone	3					
*43	1400.10	Copper spacer	Rosetta Rame	3					
*44	1200.45	Plunger dia. 16 mm	Pistone Ø16	3					
*45	1400.27	Copper spacer	Rosetta Rame	3					
*46	0003.40	Plunger Rod	Asta Pistone	3					
*47	1502.04	Connecting rod pin	Spinotto	3	•	•	•	•	•
*48	0100.08	Connecting rod	Biella	3					
*49	1801.32	Connecting rod screw	Vite M6x30	6					
50	0605.13	"O" Ring Ø2.62x111.62	"O" Ring Ø2.62x111.62	1					
51	0203.67	Crankcase cover	Coperchio posteriore	1					
52	0601.14	"O" Ring Ø1.78x14	"O" Ring Ø1.78x14	1					
53	0700.05	Sight glass G3/4	Spia livelli olio G3/4	1					